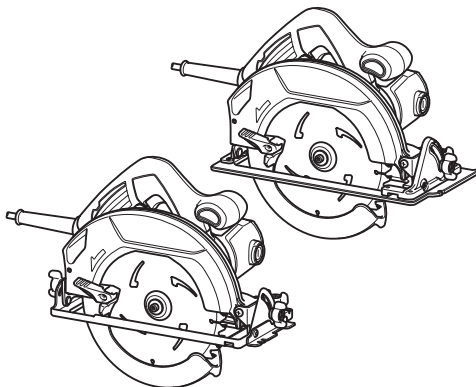




<b>EN</b>	Circular Saw	INSTRUCTION MANUAL	6
<b>RU</b>	Дисковая Пила	РУКОВОДСТВО ПО ЭКСПЛУАТАЦИИ	12
<b>KK</b>	Дискілі ара	ПАЙДАЛАНУ ЖӨНІНДЕГІ НҮСҚАУЛЫҚ	20

**HS7000**  
**HS7600**



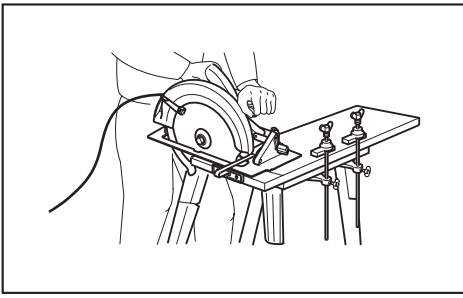


Fig.1

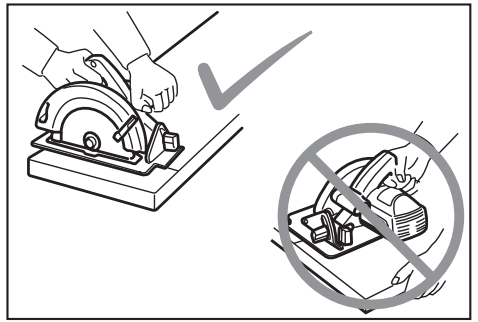


Fig.5

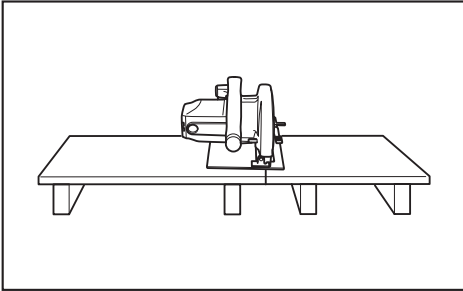


Fig.2

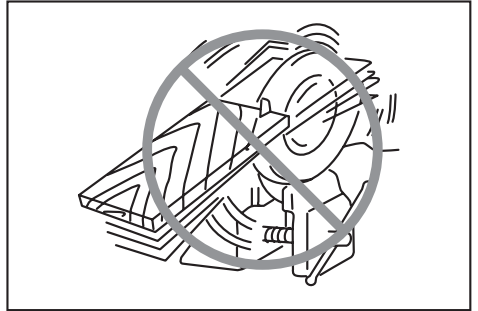


Fig.6

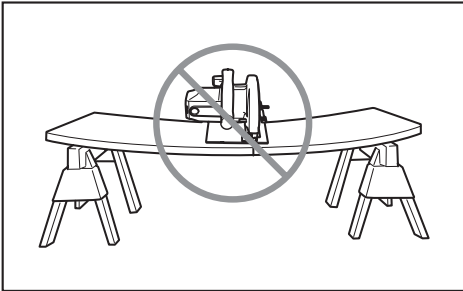


Fig.3

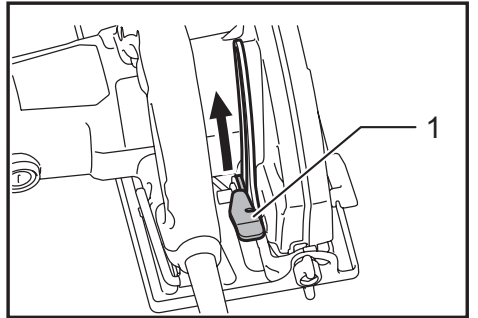


Fig.7

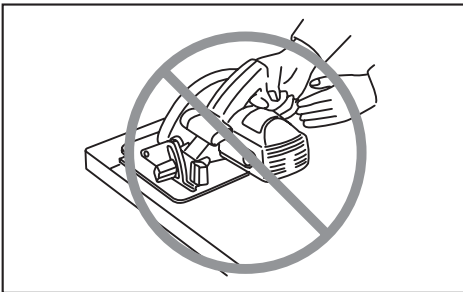


Fig.4

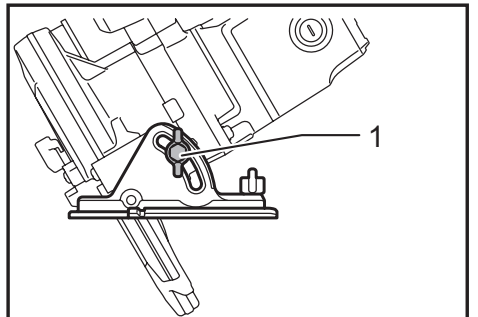


Fig.8

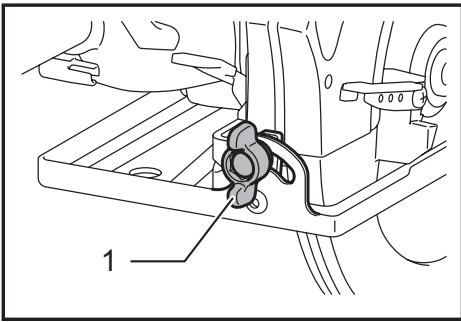


Fig.9

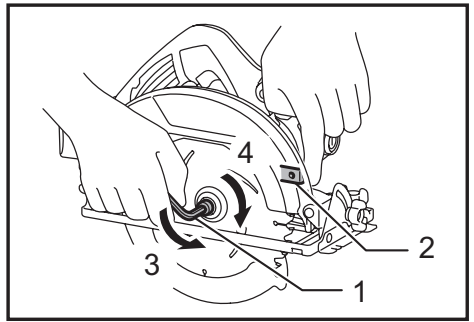


Fig.13

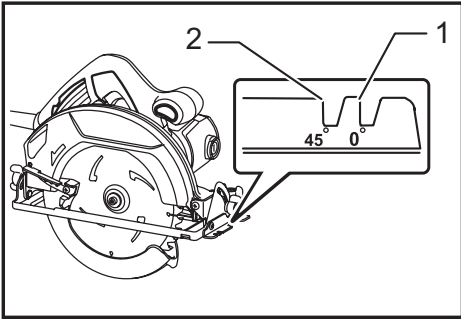


Fig.10

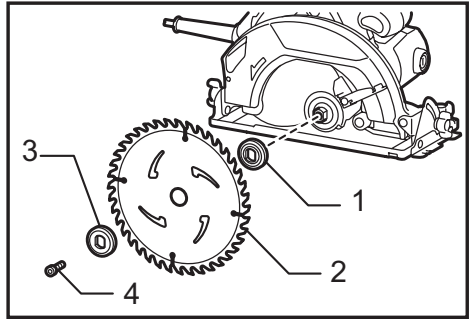


Fig.14

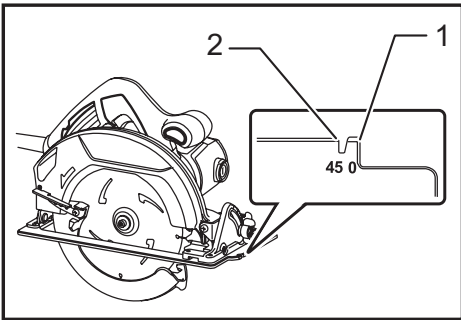


Fig.11

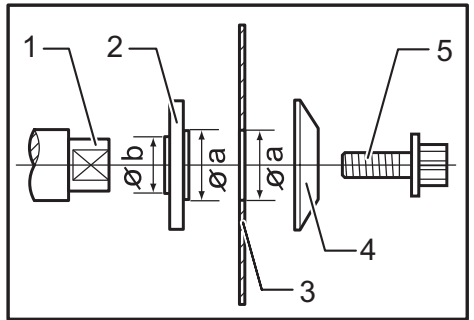


Fig.15

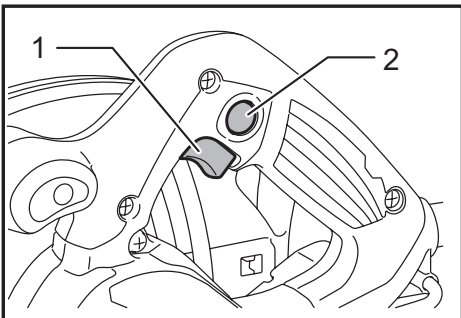


Fig.12

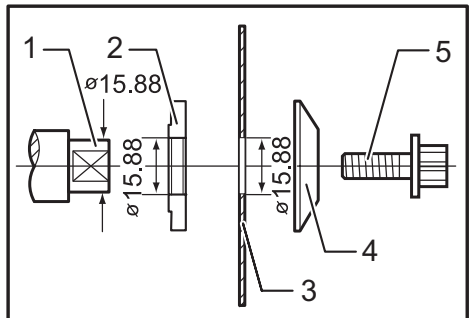


Fig.16

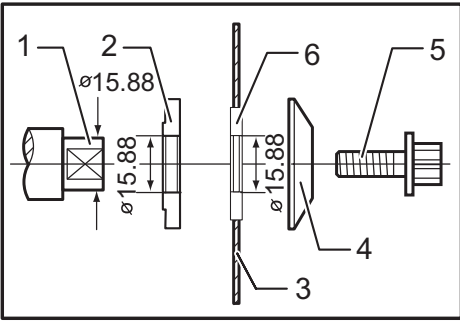


Fig.17

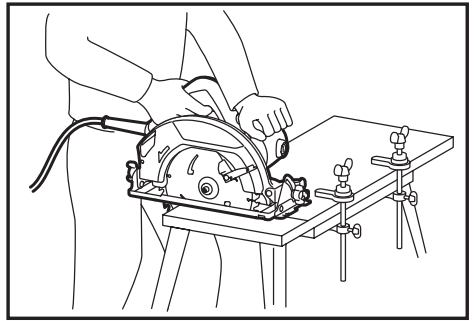


Fig.21

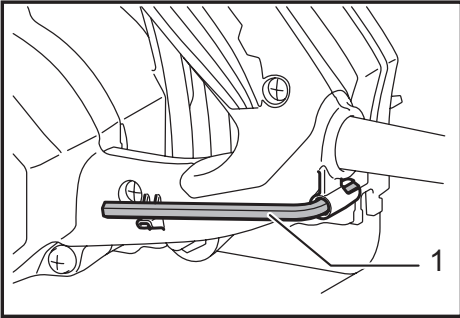


Fig.18

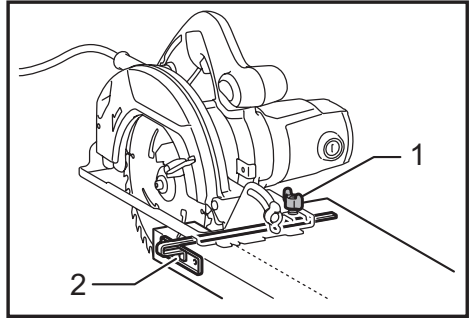


Fig.22

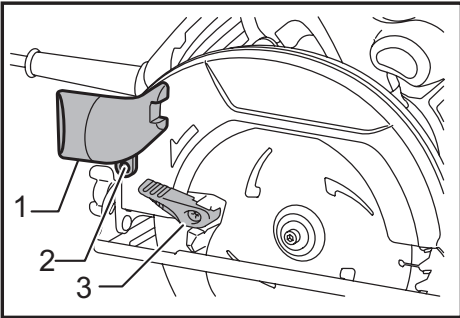


Fig.19

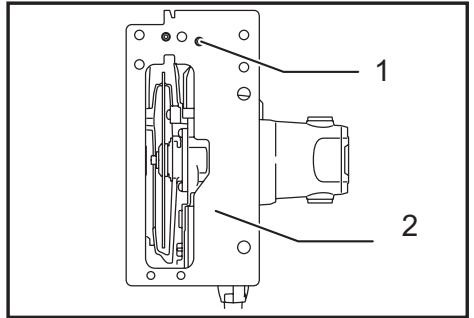


Fig.23

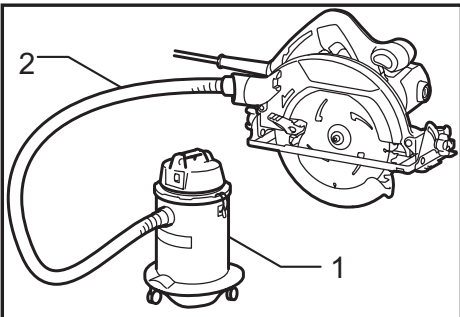


Fig.20

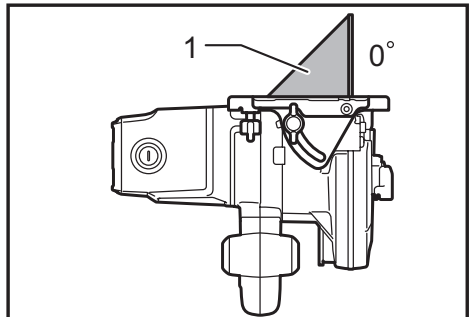


Fig.24

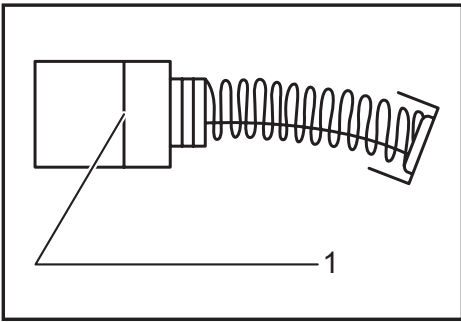


Fig.25

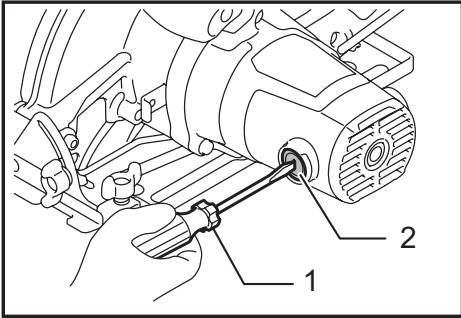


Fig.26




# SPECIFICATIONS

Model		HS7000	HS7600
Blade diameter		185 mm	
Max. cutting depth	at 0°	65 mm	64 mm
	at 45°	43 mm	42 mm
No load speed		5,200 min <sup>-1</sup>	
Overall length		298 mm	309 mm
Net weight		3.8 kg	3.6 kg
Safety class		□/II	

- Due to our continuing program of research and development, the specifications herein are subject to change without notice.
- Specifications may differ from country to country.
- Weight according to EPTA-Procedure 01/2014

## Symbols

The following show the symbols used for the equipment. Be sure that you understand their meaning before use.

	Read instruction manual.
	DOUBLE INSULATION
	Only for EU countries Do not dispose of electric equipment together with household waste material! In observance of the European Directive, on Waste Electric and Electronic Equipment and its implementation in accordance with national law, electric equipment that have reached the end of their life should be collected separately and returned to an environmentally compatible recycling facility.

### Intended use

The tool is intended for performing lengthways and crossways straight cuts and mitre cuts with angles in wood while in firm contact with the workpiece. With appropriate Makita genuine saw blades, other materials can also be sawed.

### Power supply

The tool should be connected only to a power supply of the same voltage as indicated on the nameplate, and can only be operated on single-phase AC supply. They are double-insulated and can, therefore, also be used from sockets without earth wire.

## General power tool safety warnings

**⚠ WARNING: Read all safety warnings, instructions, illustrations and specifications provided with this power tool.** Failure to follow all instructions listed below may result in electric shock, fire and/or serious injury.

## Save all warnings and instructions for future reference.

The term "power tool" in the warnings refers to your mains-operated (corded) power tool or battery-operated (cordless) power tool.

### Work area safety

1. **Keep work area clean and well lit.** Cluttered or dark areas invite accidents.
2. **Do not operate power tools in explosive atmospheres, such as in the presence of flammable liquids, gases or dust.** Power tools create sparks which may ignite the dust or fumes.
3. **Keep children and bystanders away while operating a power tool.** Distractions can cause you to lose control.

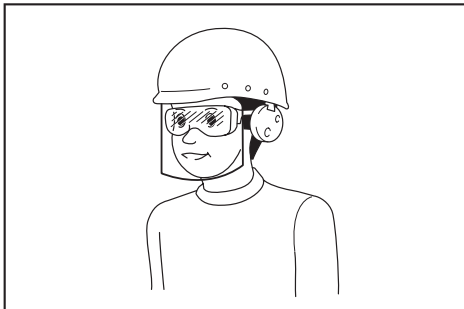
### Electrical Safety

1. **Power tool plugs must match the outlet. Never modify the plug in any way. Do not use any adapter plugs with earthed (grounded) power tools.** Unmodified plugs and matching outlets will reduce risk of electric shock.
2. **Avoid body contact with earthed or grounded surfaces, such as pipes, radiators, ranges and refrigerators.** There is an increased risk of electric shock if your body is earthed or grounded.
3. **Do not expose power tools to rain or wet conditions.** Water entering a power tool will increase the risk of electric shock.
4. **Do not abuse the cord. Never use the cord for carrying, pulling or unplugging the power tool. Keep cord away from heat, oil, sharp edges or moving parts.** Damaged or entangled cords increase the risk of electric shock.
5. **When operating a power tool outdoors, use an extension cord suitable for outdoor use.** Use of a cord suitable for outdoor use reduces the risk of electric shock.
6. **If operating a power tool in a damp location is unavoidable, use a residual current device (RCD) protected supply.** Use of an RCD reduces the risk of electric shock.
7. **Use of power supply via an RCD with a rated residual current of 30 mA or less is always recommended.**

8. **Power tools can produce electromagnetic fields (EMF) that are not harmful to the user.** However, users of pacemakers and other similar medical devices should contact the maker of their device and/or doctor for advice before operating this power tool.
9. **Do not touch the power plug with wet hands.**
10. **If the cord is damaged, have it replaced by the manufacturer or his agent in order to avoid a safety hazard.**

#### Personal Safety

1. **Stay alert, watch what you are doing and use common sense when operating a power tool. Do not use a power tool while you are tired or under the influence of drugs, alcohol or medication.** A moment of inattention while operating power tools may result in serious personal injury.
2. **Use personal protective equipment. Always wear eye protection.** Protective equipment such as a dust mask, non-skid safety shoes, hard hat or hearing protection used for appropriate conditions will reduce personal injuries.
3. **Prevent unintentional starting. Ensure the switch is in the off-position before connecting to power source and/or battery pack, picking up or carrying the tool.** Carrying power tools with your finger on the switch or energising power tools that have the switch on invites accidents.
4. **Remove any adjusting key or wrench before turning the power tool on.** A wrench or a key left attached to a rotating part of the power tool may result in personal injury.
5. **Do not overreach. Keep proper footing and balance at all times.** This enables better control of the power tool in unexpected situations.
6. **Dress properly. Do not wear loose clothing or jewellery. Keep your hair and clothing away from moving parts.** Loose clothes, jewellery or long hair can be caught in moving parts.
7. **If devices are provided for the connection of dust extraction and collection facilities, ensure these are connected and properly used.** Use of dust collection can reduce dust-related hazards.
8. **Do not let familiarity gained from frequent use of tools allow you to become complacent and ignore tool safety principles.** A careless action can cause severe injury within a fraction of a second.
9. **Always wear protective goggles to protect your eyes from injury when using power tools.** The goggles must comply with ANSI Z87.1 in the USA, EN 166 in Europe, or AS/NZS 1336 in Australia/New Zealand. In Australia/New Zealand, it is legally required to wear a face shield to protect your face, too.



**It is an employer's responsibility to enforce the use of appropriate safety protective equipments by the tool operators and by other persons in the immediate working area.**

#### Power tool use and care

1. **Do not force the power tool. Use the correct power tool for your application.** The correct power tool will do the job better and safer at the rate for which it was designed.
2. **Do not use the power tool if the switch does not turn it on and off.** Any power tool that cannot be controlled with the switch is dangerous and must be repaired.
3. **Disconnect the plug from the power source and/or remove the battery pack, if detachable, from the power tool before making any adjustments, changing accessories, or storing power tools.** Such preventive safety measures reduce the risk of starting the power tool accidentally.
4. **Store idle power tools out of the reach of children and do not allow persons unfamiliar with the power tool or these instructions to operate the power tool.** Power tools are dangerous in the hands of untrained users.
5. **Maintain power tools and accessories. Check for misalignment or binding of moving parts, breakage of parts and any other condition that may affect the power tool's operation. If damaged, have the power tool repaired before use.** Many accidents are caused by poorly maintained power tools.
6. **Keep cutting tools sharp and clean.** Properly maintained cutting tools with sharp cutting edges are less likely to bind and are easier to control.
7. **Use the power tool, accessories and tool bits etc. in accordance with these instructions, taking into account the working conditions and the work to be performed.** Use of the power tool for operations different from those intended could result in a hazardous situation.
8. **Keep handles and grasping surfaces dry, clean and free from oil and grease.** Slippery handles and grasping surfaces do not allow for safe handling and control of the tool in unexpected situations.
9. **When using the tool, do not wear cloth work gloves which may be entangled.** The entanglement of cloth work gloves in the moving parts may result in personal injury.

#### Service

1. **Have your power tool serviced by a qualified repair person using only identical replacement parts.** This will ensure that the safety of the power tool is maintained.
2. **Follow instruction for lubricating and changing accessories.**

### Circular saw safety warnings

#### Cutting procedures

1. **⚠ DANGER: Keep hands away from cutting area and the blade. Keep your second hand on auxiliary handle, or motor housing.** If both hands are holding the saw, they cannot be cut by the blade.
2. **Do not reach underneath the workpiece.** The guard cannot protect you from the blade below the workpiece.

3. **Adjust the cutting depth to the thickness of the workpiece.** Less than a full tooth of the blade teeth should be visible below the workpiece.
4. **Never hold the workpiece in your hands or across your leg while cutting. Secure the workpiece to a stable platform.** It is important to support the work properly to minimise body exposure, blade binding, or loss of control.
  - ▶ Fig.1
5. **Hold the power tool by insulated gripping surfaces, when performing an operation where the cutting tool may contact hidden wiring or its own cord.** Contact with a "live" wire will also make exposed metal parts of the power tool "live" and could give the operator an electric shock.
6. **When ripping, always use a rip fence or straight edge guide.** This improves the accuracy of cut and reduces the chance of blade binding.
7. **Always use blades with correct size and shape (diamond versus round) of arbour holes.** Blades that do not match the mounting hardware of the saw will run off-centre, causing loss of control.
8. **Never use damaged or incorrect blade washers or bolt.** The blade washers and bolt were specially designed for your saw, for optimum performance and safety of operation.
4. **Support large panels to minimise the risk of blade pinching and kickback.** Large panels tend to sag under their own weight. Supports must be placed under the panel on both sides, near the line of cut and near the edge of the panel.
  - ▶ Fig.2
  - ▶ Fig.3
5. **Do not use dull or damaged blades.** Unsharpened or improperly set blades produce narrow kerf causing excessive friction, blade binding and kickback.
6. **Blade depth and bevel adjusting locking levers must be tight and secure before making the cut.** If blade adjustment shifts while cutting, it may cause binding and kickback.
7. **Use extra caution when sawing into existing walls or other blind areas.** The protruding blade may cut objects that can cause kickback.
8. **ALWAYS hold the tool firmly with both hands. NEVER place your hand, leg or any part of your body under the tool base or behind the saw, especially when making cross-cuts.** If kickback occurs, the saw could easily jump backwards over your hand, leading to serious personal injury.
  - ▶ Fig.4
9. **Never force the saw. Push the saw forward at a speed so that the blade cuts without slowing.** Forcing the saw can cause uneven cuts, loss of accuracy, and possible kickback.

#### Kickback causes and related warnings

- kickback is a sudden reaction to a pinched, jammed or misaligned saw blade, causing an uncontrolled saw to lift up and out of the workpiece toward the operator;
- when the blade is pinched or jammed tightly by the kerf closing down, the blade stalls and the motor reaction drives the unit rapidly back toward the operator;
- if the blade becomes twisted or misaligned in the cut, the teeth at the back edge of the blade can dig into the top surface of the wood causing the blade to climb out of the kerf and jump back toward the operator.

Kickback is the result of saw misuse and/or incorrect operating procedures or conditions and can be avoided by taking proper precautions as given below.

1. **Maintain a firm grip with both hands on the saw and position your arms to resist kickback forces. Position your body to either side of the blade, but not in line with the blade.** Kickback could cause the saw to jump backwards, but kickback forces can be controlled by the operator, if proper precautions are taken.
2. **When blade is binding, or when interrupting a cut for any reason, release the trigger and hold the saw motionless in the material until the blade comes to a complete stop. Never attempt to remove the saw from the work or pull the saw backward while the blade is in motion or kickback may occur.** Investigate and take corrective actions to eliminate the cause of blade binding.
3. **When restarting a saw in the workpiece, centre the saw blade in the kerf so that the saw teeth are not engaged into the material.** If a saw blade binds, it may walk up or kickback from the workpiece as the saw is restarted.
1. **Check the lower guard for proper closing before each use. Do not operate the saw if the lower guard does not move freely and close instantly. Never clamp or tie the lower guard into the open position.** If the saw is accidentally dropped, the lower guard may be bent. Raise the lower guard with the retracting handle and make sure it moves freely and does not touch the blade or any other part, in all angles and depths of cut.
2. **Check the operation of the lower guard spring. If the guard and the spring are not operating properly, they must be serviced before use.** Lower guard may operate sluggishly due to damaged parts, gummy deposits, or a build-up of debris.
3. **The lower guard may be retracted manually only for special cuts such as "plunge cuts" and "compound cuts". Raise the lower guard by the retracting handle and as soon as the blade enters the material, the lower guard must be released.** For all other sawing, the lower guard should operate automatically.
4. **Always observe that the lower guard is covering the blade before placing the saw down on bench or floor.** An unprotected, coasting blade will cause the saw to walk backwards, cutting whatever is in its path. Be aware of the time it takes for the blade to stop after switch is released.
5. **To check lower guard, open lower guard by hand, then release and watch guard closure. Also check to see that retracting handle does not touch tool housing.** Leaving blade exposed is VERY DANGEROUS and can lead to serious personal injury.



## Additional safety warnings

1. **Use extra caution when cutting damp wood, pressure treated lumber, or wood containing knots.** Maintain smooth advancement of tool without decrease in blade speed to avoid overheating the blade tips.
2. **Do not attempt to remove cut material when blade is moving. Wait until blade stops before grasping cut material.** Blades coast after turn off.
3. **Avoid cutting nails. Inspect for and remove all nails from lumber before cutting.**
4. **Place the wider portion of the saw base on that part of the workpiece which is solidly supported, not on the section that will fall off when the cut is made. If the workpiece is short or small, clamp it down. DO NOT TRY TO HOLD SHORT PIECES BY HAND!**

### ► Fig.5

5. **Before setting the tool down after completing a cut, be sure that the guard has closed and the blade has come to a complete stop.**
6. **Never attempt to saw with the circular saw held upside down in a vise. This is extremely dangerous and can lead to serious accidents.**

### ► Fig.6

7. **Some material contains chemicals which may be toxic. Take caution to prevent dust inhalation and skin contact. Follow material supplier safety data.**
8. **Do not stop the blades by lateral pressure on the saw blade.**
9. **Do not use any abrasive wheels.**
10. **Only use the saw blade with the diameter that is marked on the tool or specified in the manual.** Use of an incorrectly sized blade may affect the proper guarding of the blade or guard operation which could result in serious personal injury.
11. **Keep blade sharp and clean.** Gum and wood pitch hardened on blades slows saw and increases potential for kickback. Keep blade clean by first removing it from tool, then cleaning it with gum and pitch remover, hot water or kerosene. Never use gasoline.
12. **Wear a dust mask and hearing protection when use the tool.**
13. **Always use the saw blade intended for cutting the material that you are going to cut.**
14. **Only use the saw blades that are marked with a speed equal or higher than the speed marked on the tool.**
15. **(For European countries only) Always use the blade which conforms to EN847-1.**

## SAVE THESE INSTRUCTIONS.

**⚠ WARNING:** DO NOT let comfort or familiarity with product (gained from repeated use) replace strict adherence to safety rules for the subject product. MISUSE or failure to follow the safety rules stated in this instruction manual may cause serious personal injury.

## FUNCTIONAL DESCRIPTION

### ⚠ CAUTION:

- Always be sure that the tool is switched off and unplugged before adjusting or checking function on the tool.

## Adjusting depth of cut

### ⚠ CAUTION:

- After adjusting the depth of cut, always tighten the lever securely.

### ► Fig.7: 1. Lever

Loosen the lever on the depth guide and move the base up or down. At the desired depth of cut, secure the base by tightening the lever.

For cleaner, safer cuts, set cut depth so that no more than one blade tooth projects below workpiece. Using proper cut depth helps to reduce potential for dangerous KICKBACKS which can cause personal injury.

## Bevel cutting

### ► Fig.8: 1. Clamping screw

### ► Fig.9: 1. Clamping screw

## For HS7000

Loosen the front and rear clamping screws. Set for the desired angle (0°-45°) by tilting accordingly, then tighten the front and rear clamping screws securely.

## For HS7600

Loosen the clamping screw. Set for the desired angle (0°- 45°) by tilting accordingly, then tighten the clamping screw securely.

## Sighting

## For HS7000

### ► Fig.10: 1. Cutting line (0° position) 2. Cutting line (45° position)

## For HS7600

### ► Fig.11: 1. Cutting line (0° position) 2. Cutting line (45° position)

For straight cuts, align the 0° position on the front of the base with your cutting line. For 45° bevel cuts, align the 45° position with it.

## Switch action

### ⚠ CAUTION:

- Before plugging in the tool, always check to see that the switch trigger actuates properly and returns to the "OFF" position when released.

### ► Fig.12: 1. Switch trigger 2. Lock-off button/ Lock button

## For tool with lock-off button

### ⚠ CAUTION:

- Do not pull the switch trigger hard without pressing in the lock-off button. This can cause switch breakage.

To prevent the switch trigger from being accidentally pulled, a lock-off button is provided.

To start the tool, depress the lock-off button and pull the switch trigger. Release the switch trigger to stop.

### ⚠ WARNING:

- For your safety, this tool is equipped with a lock-off button which prevents the tool from unintended starting. NEVER use the tool if it runs when you simply pull the switch trigger without pressing the lock-off button. Return tool to a Makita service center for proper repairs BEFORE further usage.
- NEVER tape down or defeat purpose and function of lock-off button.

## For tool with lock button

### ⚠ CAUTION:

- Switch can be locked in "ON" position for ease of operator comfort during extended use. Apply caution when locking tool in "ON" position and maintain firm grasp on tool.

To start the tool, simply pull the switch trigger. Release the switch trigger to stop.

For continuous operation, pull the switch trigger, push in the lock button and then release the switch trigger.

To stop the tool from the locked position, pull the switch trigger fully, then release it.

## ASSEMBLY

### ⚠ CAUTION:

- Always be sure that the tool is switched off and unplugged before adjusting or checking function on the tool.

## Removing or installing saw blade

### ⚠ CAUTION:

- Be sure the blade is installed with teeth pointing up at the front of the tool.
- Use only the Makita wrench to install or remove the blade.

- Fig.13: 1. Hex wrench 2. Shaft lock 3. Loosen 4. Tighten

To remove the blade, press the shaft lock so that the blade cannot revolve and use the wrench to loosen the hex bolt counter-clockwise. Then remove the hex bolt, outer flange and blade.

- Fig.14: 1. Inner flange 2. Saw blade 3. Outer flange 4. Hex bolt

When changing blade, make sure to also clean upper and lower blade guards of accumulated sawdust. Such efforts do not, however, replace the need to check lower guard operation before each use.

## For tool with the inner flange for other than 15.88 mm hole-diameter saw blade

- Fig.15: 1. Mounting shaft 2. Inner flange 3. Saw blade 4. Outer flange 5. Hex bolt

The inner flange has a certain diameter protrusion on one side of it and a different diameter protrusion on the other side. Choose a correct side on which protrusion fits into the saw blade hole perfectly.

Next, mount the inner flange onto the mounting shaft so that the correct side of protrusion on the inner flange faces outward and then place saw blade and outer flange. BE SURE TO TIGHTEN THE HEX BOLT CLOCKWISE SECURELY.

### ⚠ CAUTION:

- Make sure that the protrusion "a" on the inner flange that is positioned outside fits into the saw blade hole "a" perfectly. Mounting the blade on the wrong side can result in the dangerous vibration.

## For tool with the inner flange for a 15.88 mm hole-diameter saw blade (country specific)

- Fig.16: 1. Mounting shaft 2. Inner flange 3. Saw blade 4. Outer flange 5. Hex bolt

- Fig.17: 1. Mounting shaft 2. Inner flange 3. Saw blade 4. Outer flange 5. Hex bolt 6. Ring

Mount the inner flange with its recessed side facing outward onto the mounting shaft and then place saw blade (with the ring attached if needed), outer flange and hex bolt.

BE SURE TO TIGHTEN THE HEX BOLT CLOCKWISE SECURELY.

### ⚠ WARNING:

- Before mounting the blade onto the spindle, always be sure that the correct ring for the blade's arbor hole you intend to use is installed between the inner and the outer flanges. Use of the incorrect arbor hole ring may result in the improper mounting of the blade causing blade movement and severe vibration resulting in possible loss of control during operation and in serious personal injury.

## Hex wrench storage

- Fig.18: 1. Hex wrench

When not in use, store the hex wrench as shown in the figure to keep it from being lost.

## Connecting a vacuum cleaner

(Optional accessory in some countries)

- Fig.19: 1. Dust nozzle 2. Screw 3. Lever

- Fig.20: 1. Vacuum cleaner 2. Hose

When you wish to perform clean cutting operation, connect a Makita vacuum cleaner to your tool.

Install the dust nozzle on the tool using the screw. Then connect a hose of the vacuum cleaner to the dust nozzle as shown in the figure.

For tool without dust nozzle provided as a standard equipment, replace the lever fixed on the lower guard to the one supplied with the dust nozzle (optional accessory) at the same time when installing the dust nozzle. Otherwise you will not be able to make a cut because the lower guard movement is hindered by the dust nozzle.

## OPERATION

### ⚠ CAUTION:

- Be sure to move the tool forward in a straight line gently. Forcing or twisting the tool will result in overheating the motor and dangerous kick-back, possibly causing severe injury.
- Always use a front grip and rear handle and firmly hold the tool by both front grip and rear handle during operations.

#### ► Fig.21

Hold the tool firmly. The tool is provided with both a front grip and rear handle. Use both to best grasp the tool. If both hands are holding saw, they cannot be cut by the blade. Set the base on the workpiece to be cut without the blade making any contact. Then turn the tool on and wait until the blade attains full speed. Now simply move the tool forward over the workpiece surface, keeping it flat and advancing smoothly until the sawing is completed.

To get clean cuts, keep your sawing line straight and your speed of advance uniform. If the cut fails to properly follow your intended cut line, do not attempt to turn or force the tool back to the cut line. Doing so may bind the blade and lead to dangerous kickback and possible serious injury. Release switch, wait for blade to stop and then withdraw tool. Realign tool on new cut line, and start cut again. Attempt to avoid positioning which exposes operator to chips and wood dust being ejected from saw. Use eye protection to help avoid injury.

### Rip fence (Guide rule) (optional accessory)

#### ► Fig.22: 1. Clamping screw 2. Rip fence (Guide rule)

The handy rip fence allows you to do extra-accurate straight cuts. Simply slide the rip fence up snugly against the side of the workpiece and secure it in position with the clamping screw on the front of the base. It also makes repeated cuts of uniform width possible.

## MAINTENANCE

### ⚠ CAUTION:

- Always be sure that the tool is switched off and unplugged before attempting to perform inspection or maintenance.
- **Clean out the upper and lower guards to ensure there is no accumulated sawdust which may impede the operation of the lower guarding system.** A dirty guarding system may limit the proper operation which could result in serious personal injury. The most effective way to accomplish this cleaning is with compressed air. **If the dust is being blown out of the guards be sure the proper eye and breathing protection is used.**
- Never use gasoline, benzene, thinner, alcohol or the like. Discoloration, deformation or cracks may result.

## Adjusting for accuracy of 0° cut

### For HS7600 only

► Fig.23: 1. Screw 2. Base

► Fig.24: 1. Triangular rule

This adjustment has been made at the factory. But if it is off, adjust the adjusting screws with a hex wrench while inspecting 0° the blade with the base using a triangular rule or square rule, etc.

## Replacing carbon brushes

► Fig.25: 1. Limit mark

Remove and check the carbon brushes regularly. Replace when they wear down to the limit mark. Keep the carbon brushes clean and free to slip in the holders. Both carbon brushes should be replaced at the same time. Use only identical carbon brushes. Use a screwdriver to remove the brush holder caps. Take out the worn carbon brushes, insert the new ones and secure the brush holder caps.

► Fig.26: 1. Screwdriver 2. Brush holder cap

To maintain product SAFETY and RELIABILITY, repairs, any other maintenance or adjustment should be performed by Makita Authorized Service Centers, always using Makita replacement parts.

## OPTIONAL ACCESSORIES

### ⚠ CAUTION:

- These accessories or attachments are recommended for use with your Makita tool specified in this manual. The use of any other accessories or attachments might present a risk of injury to persons. Only use accessory or attachment for its stated purpose.

If you need any assistance for more details regarding these accessories, ask your local Makita Service Center.

- Saw blades
- Rip fence (Guide rule)
- Dust nozzle
- Hex wrench

### NOTE:

- Some items in the list may be included in the tool package as standard accessories. They may differ from country to country.

## ТЕХНИЧЕСКИЕ ХАРАКТЕРИСТИКИ

Модель		HS7000	HS7600
Диаметр диска		185 мм	
Максимальная глубина резки	при 0°	65 мм	64 мм
	при 45°	43 мм	42 мм
Частота вращения без нагрузки		5200 мин <sup>-1</sup>	
Общая длина		298 мм	309 мм
Масса нетто		3,8 кг	3,6 кг
Класс безопасности		□/Л	

- Благодаря нашей постоянно действующей программе исследований и разработок указанные здесь технические характеристики могут быть изменены без предварительного уведомления.
- Технические характеристики могут различаться в зависимости от страны.
- Масса в соответствии с процедурой EPTA 01/2014

### Символы

Ниже приведены символы, используемые для электроинструмента. Перед использованием убедитесь, что вы понимаете их значение.



Прочитайте руководство пользователя.



ДВОЙНАЯ ИЗОЛЯЦИЯ



Только для стран ЕС  
Не утилизируйте данный электроинструмент вместе с бытовыми отходами! В рамках соблюдения Европейской Директивы по утилизации электрического и электронного оборудования и ее применения в соответствии с национальным законодательством, электрооборудование в конце срока своей службы должно утилизироваться отдельно и передаваться для его утилизации на предприятие, соответствующее применяемым правилам охраны окружающей среды.

### Назначение

Данный инструмент предназначен для прямолинейного продольного и поперечного пиления, а также для пиления древесины под углом при наличии надежного контакта с распиливаемой деталью. При использовании соответствующих оригинальных дисковых пил Makita возможно также распиливание других материалов.

### Питание

Подключайте данный инструмент только к тому источнику питания, напряжение которого соответствует напряжению, указанному на паспортной табличке. Инструмент предназначен для работы от источника однофазного переменного тока. Он имеет двойную изоляцию и поэтому может подключаться к розеткам без заземления.

### Общие рекомендации по технике безопасности для электроинструментов

**⚠ОСТОРОЖНО:** Ознакомьтесь со всеми представленными инструкциями по технике безопасности, указаниями, иллюстрациями и техническими характеристиками, прилагаемыми к данному электроинструменту. Несоблюдение каких-либо инструкций, указанных ниже, может привести к поражению электрическим током, пожару и/или серьезной травме.

### Сохраните брошюру с инструкциями и рекомендациями для дальнейшего использования.

Термин "электроинструмент" в предупреждениях относится ко всему инструменту, работающему от сети (с проводом) или на аккумуляторах (без провода).

#### Безопасность в месте выполнения работ

1. Рабочее место должно быть чистым и хорошо освещенным. Захламление и плохое освещение могут стать причиной несчастных случаев.
2. Не пользуйтесь электроинструментом во взрывоопасной атмосфере, например в присутствии легко воспламеняющихся жидкостей, газов или пыли. При работе электроинструмента возникают искры, которые могут привести к воспламенению пыли или газов.
3. При работе с электроинструментом не допускайте детей или посторонних к месту выполнения работ. Не отвлекайтесь во время работы, так как это приведет к потере контроля над электроинструментом.

#### Электробезопасность

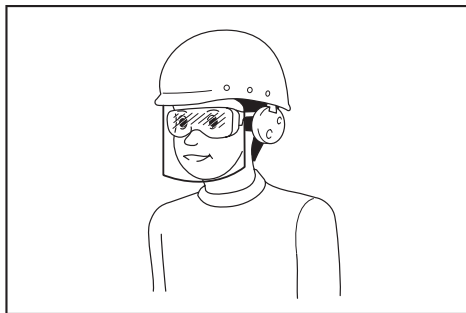
1. Вилка электроинструмента должна соответствовать сетевой розетке. Запрещается вносить какие-либо изменения в конструкцию вилки. Для электроинструмента с заземлением запрещается использовать переходники. Розетки и вилки, не подвергавшиеся изменениям, снижают риск поражения электрическим током.

2. Избегайте контакта участков тела с заземленными поверхностями, такими как трубы, радиаторы, батареи отопления и холодильники. При контакте тела с заземленными предметами увеличивается риск поражения электрическим током.
3. **Не подвергайте электроинструмент воздействию дождя или влаги.** Попадание воды в электроинструмент повышает риск поражения электрическим током.
4. **Аккуратно обращайтесь со шнуром питания.** Запрещается использовать шнур питания для переноски, перемещения или извлечения вилки из розетки. Располагайте шнур на расстоянии от источников тепла, масла, острых краев и движущихся деталей. Поврежденные или запутанные сетевые шнуры увеличивают риск поражения электрическим током.
5. **При использовании электроинструмента вне помещения используйте удлинитель, подходящий для этих целей.** Использование соответствующего шнура снижает риск поражения электрическим током.
6. **Если электроинструмент приходится эксплуатировать в сыром месте, используйте линию электропитания, которая защищена устройством, срабатывающим от остаточного тока (RCD).** Использование RCD снижает риск поражения электротоком.
7. **Рекомендуется использовать питание через RCD с номинальным остаточным током 30 мА или менее.**
8. **Электроинструмент может создавать электромагнитные поля (EMF), которые не представляют опасности для пользователя.** Однако пользователям с кардиостимуляторами и другими аналогичными медицинскими устройствами следует обратиться к производителю устройства и/или врачу перед началом эксплуатации инструмента.
9. **Не прикасайтесь к разъему электропитания мокрыми руками.**
10. **Во избежание угрозы безопасности, в случае повреждения кабеля его необходимо заменить в мастерской изготовителя.**

#### Личная безопасность

1. При использовании электроинструмента будьте бдительны, следите за тем, что вы делаете, и руководствуйтесь здравым смыслом. Не пользуйтесь электроинструментом, если вы устали, находитесь под воздействием наркотиков, алкоголя или лекарственных препаратов. Даже мгновенная невнимательность при использовании электроинструмента может привести к серьезной травме.
2. **Используйте индивидуальные средства защиты. Всегда надевайте защитные очки.** Такие средства индивидуальной защиты, как маска от пыли, защитная нескользящая обувь, каска или наушники, используемые в соответствующих условиях, позволяют снизить риск получения травмы.
3. **Не допускайте случайного запуска.** Прежде чем подсоединить инструмент к источнику питания и/или аккумуляторной батарее, поднимать или переносить инструмент, убедитесь, что переключатель находится в выключенном положении. Переноска электроинструмента с пальцем на выключателе или подача питания на инструмент с включенным выключателем может привести к несчастному случаю.

4. **Перед включением электроинструмента снимите с него все регулировочные инструменты и гаечные ключи.** Гаечный или регулировочный ключ, оставшийся закрепленным на вращающейся детали, может привести к травме.
5. **При эксплуатации устройства не тянитесь. Всегда сохраняйте устойчивое положение и равновесие.** Это позволит лучше управлять электроинструментом в непредвиденных ситуациях.
6. **Одевайтесь соответствующим образом. Не надевайте свободную одежду или украшения.** Ваши волосы и одежда должны всегда находиться на расстоянии от движущихся деталей. Свободная одежда, украшения или длинные волосы могут попасть в движущиеся детали устройства.
7. **Если электроинструмент оборудован системой удаления и сбора пыли, убедитесь, что она подключена и используется соответствующим образом.** Использование пылесборника снижает вероятность возникновения рисков, связанных с пылью.
8. **Не переоценивайте свои возможности и не пренебрегайте правилами техники безопасности, даже если вы часто работаете с инструментом.** Небрежное обращение с инструментом может стать причиной серьезной травмы за доли секунды.
9. **Во время работы с электроинструментом всегда надевайте защитные очки. Очки должны соответствовать ANSI Z87.1 для США, EN 166 для Европы, или AS/NZS 1336 для Австралии и Новой Зеландии. В Австралии и Новой Зеландии оператор также обязан носить защитную маску.**



Ответственность за использование средств защиты операторами и другим персоналом вблизи рабочей зоны возлагается на работодателя.

#### Эксплуатация и обслуживание электроинструмента

1. **Не прилагайте излишних усилий к электроинструменту.** Используйте инструмент, соответствующий выполняемой вами работе. Правильно подобранный электроинструмент позволит выполнить работу лучше и безопаснее с производительностью, на которую он рассчитан.

## Правила техники безопасности при эксплуатации циркулярной пилы

2. Не пользуйтесь электроинструментом с неисправным выключателем. Любой электроинструмент с неисправным выключателем опасен и должен быть отремонтирован.
3. Перед выполнением регулировок, сменой принадлежностей или хранением электроинструмента всегда отключайте его от источника питания и/или от аккумулятора или снимайте аккумулятор, если он является съемным. Такие превентивные меры предосторожности снижают риск случайного включения электроинструмента.
4. Храните электроинструменты в местах, недоступных для детей, и не позволяйте лицам, не знакомым с работой такого инструмента или не прочитавшим данные инструкции, пользоваться им. Электроинструмент опасен в руках неопытных пользователей.
5. Поддерживайте электроинструмент и дополнительные принадлежности в надлежащем состоянии. Убедитесь в соосности, отсутствии деформаций движущихся узлов, поломок каких-либо деталей или других дефектов, которые могут повлиять на работу электроинструмента. Если инструмент поврежден, отремонтируйте его перед использованием. Большое число несчастных случаев происходит из-за плохого ухода за электроинструментом.
6. Режущий инструмент всегда должен быть острым и чистым. Соответствующее обращение с режущим инструментом, имеющим острые режущие кромки, делает его менее подверженным деформациям, что позволяет лучше управлять им.
7. Используйте электроинструмент, принадлежности, приспособления и насадки в соответствии с данными инструкциями и в целях, для которых он предназначен, учитывая при этом условия и вид выполняемой работы. Использование электроинструмента не по назначению может привести к возникновению опасной ситуации.
8. Рукоятки инструмента и специальные изолированные поверхности всегда должны быть сухими и чистыми и не содержать следов масла или смазки. Скользкие рукоятки и специальные поверхности препятствуют соблюдению рекомендаций по технике безопасности в экстренных ситуациях.
9. При использовании инструмента не надевайте рабочие перчатки, ткань которых инструмент может затянуть. Затягивание ткани рабочих перчаток в движущиеся части инструмента может привести к травме.

### Сервисное обслуживание

1. Сервисное обслуживание электроинструмента должно проводиться только квалифицированным специалистом по ремонту и только с использованием идентичных запасных частей. Это позволит обеспечить безопасность электроинструмента.
2. Следуйте инструкциям по смазке и замене принадлежностей.

### Процедуры резки

1. **▲ОПАСНО:** Держите руки на расстоянии от места распила и пилы. Держите вторую руку на дополнительной ручке или корпусе двигателя. Удержание инструмента обеими руками позволит избежать попадания рук диск пилы.
2. Не наклоняйтесь под обрабатываемую деталь. Защитный кожух не защитит вас от диска под обрабатываемой деталью.
3. Отрегулируйте глубину распила в соответствии с толщиной детали. Под распиливаемой деталью должен быть виден почти весь зуб пилы.
4. Запрещается держать деталь руками и ставить ее поперек ноги во время работы. Закрепите обрабатываемую деталь на устойчивом основании. Важно обеспечить правильную фиксацию детали для снижения до минимума риска получения травм, заклинивания диска или потери контроля.

### ► Рис.1

5. Если при выполнении работ существует риск контакта режущего инструмента со скрытой электропроводкой или собственным шнуром питания, держите электроинструмент за специально предназначенные изолированные поверхности. Контакт с проводом под напряжением приведет к тому, что металлические детали инструмента также будут под напряжением, что приведет к поражению оператора электрическим током.
6. Обязательно пользуйтесь направляющей планкой или направляющей с прямым краем при продольной распиловке. Это повышает точность распила и снижает риск изгиба диска.
7. Обязательно используйте диски соответствующего размера и формы отверстий для оправки (ромбовидные или круглые). Диски с несоответствующим креплением будут работать эксцентрически, что приведет к потере контроля над инструментом.
8. Запрещается использовать поврежденные или несоответствующие пиле шайбы или болт крепления. Шайбы и болт крепления диска были специально разработаны для данной пилы с целью обеспечения оптимальных эксплуатационных характеристик и безопасности работы.

### Причины отдачи и соответствующие предупреждения

- отдача - это мгновенная реакция на защемление, застревание или нарушение соосности пильного диска, приводящая к неконтролируемому подъему пилы и ее движению из детали по направлению к оператору;
- если диск защемлен или жестко ограничивается пропилом снизу, он прекратит вращаться, и реакция двигателя приведет к тому, что инструмент начнет быстро двигаться в сторону оператора;

- если диск становится изогнутым или неправильно ориентированным в распиле, зубья на задней стороне диска могут цепляться за верхнюю поверхность распиливаемой древесины, что приведет к выскакиванию диска из пропила и его движению в сторону оператора.

Отдача - это результат неправильного использования пилы и/или неправильных процедур или условий эксплуатации. Ее можно избежать, соблюдая меры предосторожности, указанные ниже.

1. **Крепко держите пилу обеими руками и располагайте руки так, чтобы они могли справиться с отдачей.** Располагайтесь с боковой стороны циркулярной пилы, а не на одной линии с ней. Отдача может привести к отскакиванию дисковой пилы назад, однако силы отдачи могут контролироваться оператором при условии соблюдения соответствующих мер предосторожности.
2. **При изгибании пилы или прекращении пиления по какой-либо причине отпустите триггерный переключатель и держите пилу без ее перемещения в детали до полной остановки вращения диска.** Не пытайтесь вытащить пилу из распиливаемой детали или потянуть пилу назад, когда пила продолжает вращаться. Это может привести к отдаче. Проверьте и выполните действия по устранению причины заклинивания диска.
3. **При повторном включении пилы, когда она находится в детали, отцентрируйте пильный диск в пропиле так, чтобы зубья пилы не касались распиливаемой детали.** Если пильный диск изогнется, пила может приподняться или возникнет обратная отдача при повторном запуске пилы.
4. **Поддерживайте большие панели для снижения риска заклинивания и отдачи диска.** Большие панели провисают под собственным весом. Опоры необходимо располагать под панелью с обеих сторон, около линии распила и около края панели.

#### ► Рис.2

#### ► Рис.3

5. **Не используйте тупые или поврежденные диски.** Незаточенные или неправильно установленные диски приведут к узкому распилу, что вызовет чрезмерное трение, заклинивание диска и отдачу.
6. **Перед резкой необходимо крепко затянуть блокирующие рычаги глубины распила и регулировки скоса.** Если при резке регулировка диска нарушится, это может привести к заклиниванию диска и возникновению отдачи.
7. **Будьте особенно осторожны при распиливании уже имеющихся стен или иных поверхностей, недоступных для осмотра.** Выступающий диск пилы может столкнуться с предметами, которые могут вызвать отдачу инструмента.
8. **ВСЕГДА держите инструмент крепко обеими руками. НИКОГДА не помещайте свои руки, ноги или иные части тела под основание инструмента или позади пилы, особенно при выполнении поперечных распилов.** В случае отдачи пила может легко отскочить назад на вашу руку, что приведет к серьезной травме.

#### ► Рис.4

9. **Никогда не прилагайте повышенных усилий к пиле. Двигайте пилу вперед со скоростью, которая позволяет дисковой пиле пилить без снижения скорости.** Приложение повышенных усилий к дисковой пиле может привести к неравномерному распилу, снижению точности и возможной отдаче.

#### Функционирование ограждения

1. **Перед каждым использованием убеждайтесь в том, что нижний защитный кожух надежно закрыт. Не эксплуатируйте пилу, если нижний защитный кожух не перемещается свободно и мгновенно не закрывается. Запрещается фиксировать нижний защитный кожух в открытом положении каким бы то ни было способом.** При случайном падении пилы кожух может погнуться. Поднимите нижний защитный кожух при помощи ручки подъема и убедитесь в его свободном перемещении и в том, что он не касается пилы или других деталей при любом угле и глубине распила.
2. **Проверьте работу пружины нижнего защитного кожуха.** Если щиток и пружина не работают надлежащим образом, их необходимо отремонтировать перед использованием пилы. Нижний защитный кожух может работать медленно из-за поврежденных деталей, отложения смол или скопления мусора.
3. **Нижний защитный кожух можно поднимать вручную только при специальных распилах, таких как “врезание” или “комплексная резка”.** Поднимите нижний кожух, отодвинув рукоятку назад; как только диск войдет в материал, нижний защитный кожух обязательно нужно вернуть на место. При осуществлении любых других распилов нижний защитный кожух должен работать автоматически.
4. **Перед тем как положить пилу на верстак или на пол, обязательно убедитесь, что нижний защитный кожух закрывает режущий диск.** Незащищенный, вращающийся по инерции диск пилы может непреднамеренно двинуться назад, распиливая все, что попадет на пути. Помните о времени, необходимом для полной остановки пилы после отпущения выключателя.
5. **Для проверки нижнего кожуха вручную откройте нижний защитный кожух, затем отпустите и убедитесь, что он закрылся. Также убедитесь в том, что убирающаяся ручка не касается корпуса.** Открытая пила **ОЧЕНЬ ОПАСНА** и может привести к серьезной травме.

#### Дополнительные предупреждения о безопасности

1. **Будьте особенно осторожны при распиливании сырой, прессованной или сучковатой древесины.** Сохраняйте постоянную скорость подачи без снижения оборотов диска, чтобы избежать перегрева кромок диска.
2. **Не пытайтесь убирать отрезанные детали при вращении диска. Перед удалением распиленных деталей дождитесь полной остановки пилы.** После выключения диска будет вращаться еще некоторое время.

3. Избегайте попадания режущего инструмента на гвозди. Перед распиливанием осмотрите деталь и удалите из нее все гвозди.
4. Устанавливайте более широкую часть основания пилы на ту часть обрабатываемой детали, которая имеет хорошую опору, а не на ту часть, которая упадет после отпиливания. Если распиливаемая деталь короткая или маленькая, ее необходимо закрепить. **НЕ ПЫТАЙТЕСЬ УДЕРЖИВАТЬ КОРОТКИЕ ДЕТАЛИ РУКОЙ!**

► Рис.5

5. Перед размещением пилы после завершения распила убедитесь, что нижний защитный кожух закрылся и пила полностью прекратила вращаться.
6. Никогда не пытайтесь осуществлять распиливание, закрепив циркулярную пилу в перевернутом виде. Это очень опасно и может привести к серьезным травмам.

► Рис.6

7. Некоторые материалы могут содержать токсичные химические вещества. Примите соответствующие меры предосторожности, чтобы избежать вдыхания или контакта с кожей таких веществ. Соблюдайте требования, указанные в паспорте безопасности материала.
8. Не пытайтесь остановить пилу путем бокового давления на пильный диск.
9. Не используйте абразивные круги.
10. Разрешается использовать только пильные диски с диаметром, соответствующим указанному на инструменте или в руководстве. Применение диска неверного размера может препятствовать надлежащей защите диска или мешать работе защитного кожуха, что, в свою очередь, может стать причиной серьезных травм.
11. Пилы должны быть острыми и чистыми. Смола и древесный пек, затвердевшие на пильных дисках, снижают производительность пилы и повышают потенциальный риск отдачи. Содержите пилу в чистоте. Для этого снимите ее с инструмента и очистите растворителем смолы и древесного пек, горячей водой или керосином. Запрещается использовать бензин.
12. При использовании инструмента надевайте пылезащитную маску и используйте средства защиты слуха.
13. Используйте пильные диски, соответствующие материалу заготовки.
14. Используйте только пильные диски, маркировка максимальной скорости которых равна или выше скорости, указанной на инструменте.
15. (Только для европейских стран) Используйте диски, соответствующие EN847-1.

## СОХРАНИТЕ ДАННЫЕ ИНСТРУКЦИИ.

**▲ОСТОРОЖНО: НЕ ДОПУСКАЙТЕ**, чтобы удобство или опыт эксплуатации данного устройства (полученный от многократного использования) доминировали над строгим соблюдением правил техники безопасности при обращении с этим устройством. **НЕПРАВИЛЬНОЕ ИСПОЛЬЗОВАНИЕ** инструмента или несоблюдение правил техники безопасности, указанных в данном руководстве, может привести к тяжелой травме.

## ОПИСАНИЕ ФУНКЦИОНИРОВАНИЯ

### ▲ВНИМАНИЕ:

- Перед проведением регулировки или проверки работы инструмента всегда проверяйте, что инструмент выключен, а шнур питания вынут из розетки.

## Регулировка глубины резки

### ▲ВНИМАНИЕ:

- После регулировки глубины реза всегда крепко затягивайте рычаг.

► Рис.7: 1. Рычаг

Ослабьте рычаг на направляющей глубины и переместите основание вверх или вниз. Установив необходимую глубину реза, закрепите основание путем затяжки рычага.

Для обеспечения более чистых, безопасных распилов, установите глубину резки на такое значение, чтобы под обрабатываемой деталью выступал только один зубец диска. Установка надлежащей глубины резки снижает вероятность опасных ОТСКОКОВ, которые могут причинить травму.

## Резка со скосом

► Рис.8: 1. Зажимной винт

► Рис.9: 1. Зажимной винт

## Модель HS7000

Ослабьте передний и задний зажимные винты. Установите желаемый угол (0°–45°), наклонив основание, и затем надежно затяните передний и задний зажимные винты.

## Модель HS7600

Ослабьте зажимной винт. Установите желаемый угол (0°–45°), наклонив основание, и затем надежно затяните винт.



### Для модели HS7000

- **Рис.10:** 1. Линия разреза (положение 0°)  
2. Линия разреза (положение 45°)

### Для модели HS7600

- **Рис.11:** 1. Линия разреза (положение 0°)  
2. Линия разреза (положение 45°)

Для прямого пропила совместите положение 0° лицевой стороны основания с вашей линией распиливания. Для реза под углом 45° совместите положение 45° с линией распиливания.

### Действие выключателя

#### ⚠ВНИМАНИЕ:

- Перед включением инструмента в розетку обязательно убедитесь, что триггерный переключатель работает надлежащим образом и возвращается в положение "ВЫКЛ", если его отпустить.

- **Рис.12:** 1. Курковый выключатель 2. Кнопка разблокировки/блокировки

### Для инструмента с кнопкой разблокировки

#### ⚠ВНИМАНИЕ:

- Не нажимайте сильно на триггерный переключатель без нажатия на кнопку разблокировки. Это может привести к поломке переключателя.

Кнопка разблокировки предотвращает случайное нажатие на триггерный переключатель. Для запуска инструмента нажмите на кнопку разблокировки, а затем нажмите на триггерный переключатель. Отпустите триггерный переключатель для остановки.

#### ⚠ОСТОРОЖНО:

- Для обеспечения вашей безопасности данный инструмент оборудован кнопкой разблокировки, которая предотвращает непреднамеренное включение инструмента. ЗАПРЕЩАЕТСЯ использовать инструмент, когда он работает при простом нажатии на триггерный переключатель без нажатия на кнопку разблокировки. Верните инструмент в сервисный центр Makita для надлежащего ремонта ДО продолжения его эксплуатации.
- ЗАПРЕЩЕНО фиксировать кнопку разблокировки при помощи липкой ленты и вносить изменения в ее конструкцию.

### Для инструмента с кнопкой блокировки

#### ⚠ВНИМАНИЕ:

- В случае продолжительной работы для удобства оператора переключатель можно зафиксировать в положении "ВКЛ.". Соблюдайте осторожность при фиксации инструмента в положении "ВКЛ." и крепко удерживайте инструмент.

Для запуска инструмента просто нажмите на триггерный переключатель. Отпустите триггерный переключатель для остановки. Для непрерывной работы инструмента нажмите на триггерный переключатель, кнопку блокировки и затем отпустите триггерный переключатель. Для остановки инструмента из заблокированного положения полностью нажмите триггерный переключатель, затем отпустите его.

## МОНТАЖ

#### ⚠ВНИМАНИЕ:

- Перед проведением регулировки или проверки работы инструмента всегда проверяйте, что инструмент выключен, а шнур питания вынут из розетки.

### Снятие или установка пильного диска

#### ⚠ВНИМАНИЕ:

- Обязательно проверяйте установку диска, чтобы зубья смотрели вверх в передней части инструмента.
- Для снятия или установки дисков пользуйтесь только ключом Makita.

- **Рис.13:** 1. Шестигранный ключ 2. Фиксатор вала 3. Ослабить 4. Затянуть

Для снятия диска, нажмите на замок вала, чтобы диск не вращался, и ослабьте шестигранный болт, повернув его ключом против часовой стрелки. Затем выньте шестигранный болт, внешний фланец и диск.

- **Рис.14:** 1. Внутренний фланец 2. Пильный диск 3. Наружный фланец 4. Болт с шестигранной головкой

При замене диска обязательно также очищайте нижний и верхний кожухи диска от накопившихся опилок. Однако это требование не отменяет необходимости проверки работы нижнего кожуха перед каждым использованием.

### Для инструмента с внутренним фланцем под полотно с отверстием, размер которого не соответствует стандарту в 15,88 мм

- **Рис.15:** 1. Установочный вал 2. Внутренний фланец 3. Пильный диск 4. Наружный фланец 5. Болт с шестигранной головкой

На одной стороне внутреннего фланца имеется выступ определенного диаметра, отличающийся от диаметра выступа на противоположной стороне. Правильно выбирайте сторону, выступ на которой точно соответствует отверстию на диске пилы. Затем установите внутренний фланец на вал так, чтобы правильная сторона выступа на внутреннем фланце была обращена наружу, после чего установите диск и внешний фланец.

**УБЕДИТЕСЬ В ТОМ, ЧТО БОЛТ С ШЕСТИГРАННОЙ ГОЛОВКОЙ НАДЕЖНО ЗАТЯНУТ ПО ЧАСОВОЙ СТРЕЛКЕ.**

### **⚠ВНИМАНИЕ:**

- Убедитесь, что выступ "а" на внутреннем фланце, который выступает наружу, точно входит в отверстие "а". Установка диска неверной стороной может привести к возникновению опасной вибрации.

## **Для инструмента с внутренним фланцем под пильный диск с отверстием диаметром 15,88 мм (зависит от страны)**

► **Рис.16:** 1. Установочный вал 2. Внутренний фланец 3. Пильный диск 4. Наружный фланец 5. Болт с шестигранной головкой

► **Рис.17:** 1. Установочный вал 2. Внутренний фланец 3. Пильный диск 4. Наружный фланец 5. Болт с шестигранной головкой 6. Кольцо

Установите внутренний фланец на вал утопленной частью наружу, затем установите пильный диск (при необходимости подсоедините кольцо), внешний фланец и болт с шестигранной головкой.

**ОБЯЗАТЕЛЬНО НАДЕЖНО ЗАТЯНИТЕ ШЕСТИГРАННЫЙ БОЛТ ПО ЧАСОВОЙ СТРЕЛКЕ.**

### **⚠ОСТОРОЖНО:**

- **Перед установкой дисковой пилы на шпиндель всегда проверяйте, что между внутренним и внешним фланцами установлено кольцо с соответствующим отверстием для той пилы, которую вы собираетесь использовать.** Использование неправильного кольца с отверстием может привести к неправильной установке диска, что вызовет его перемещение и сильную вибрацию, которая может стать причиной потери контроля над инструментом во время работы и причинения тяжелых травм.

## **Хранение шестигранного ключа**

► **Рис.18:** 1. Шестигранный ключ

Когда шестигранный ключ не используется, храните его, как показано на рисунке, чтобы не потерять.

## **Подключение пылесоса**

*(Дополнительная принадлежность в некоторых странах)*

► **Рис.19:** 1. Пылесосный патрубок 2. Вент 3. Рычаг

► **Рис.20:** 1. Пылесос 2. Шланг

При необходимости выполнения чистого распиливания подключите к вашему инструменту пылесос Makita. Установите сопло для пыли на инструмент при помощи винта. Затем подсоедините шланг пылесоса к соплу для пыли, как показано на рисунке.

Если инструмент не имеет сопла для пыли в стандартной комплектации, то при установке сопла для пыли замените рычаг, установленный на нижнее ограждение, на прилагаемый к соплу для пыли (дополнительная принадлежность). В противном случае сделать разрез будет невозможно, так как сопло для пыли мешает перемещению нижнего ограждения.

# **ЭКСПЛУАТАЦИЯ**

### **⚠ВНИМАНИЕ:**

- Обязательно осторожно перемещайте инструмент по направлению вперед по прямой линии. Применение силы или кручение инструмента приведут к перегреву двигателя и опасному отскоку, результатом чего может стать серьезная травма.
- Всегда используйте переднюю и заднюю ручки; во время работы крепко держите инструмент за обе ручки.

► **Рис.21**

Крепко держите инструмент. Данный инструмент оборудован и передней рукояткой, и задней ручкой. Для надежного удержания инструмента пользуйтесь ими обеими. Если держать пилу обеими руками, их нельзя поранить диском. Установите основание на обрабатываемую деталь, при этом диск не должен ее касаться. Затем включите инструмент и подождите, пока диск наберет полную скорость. Теперь просто перемещайте инструмент вперед по поверхности обрабатываемой детали, при этом пила должна ровно лежать на плоскости, и аккуратно продвигайте пилу до завершения распиливания. Для достижения чистых распилов, соблюдайте ровную линию распила и равномерную скорость продвижения. Если инструмент не идет по намеренной линии распила, не пытайтесь поворачивать или прилагать усилия к инструменту, чтобы вернуть его к линии распила. Это может привести к заклиниванию диска, опасному отскоку и возможной серьезной травме. Отпустите переключатель, дождитесь остановки диска и поднимите инструмент. Выровняйте инструмент по новой линии распила и начните пиление заново. Попытайтесь избежать такого положения, при котором на оператора попадает щепка и древесина, вылетающая из-под пилы. Пользуйтесь средствами защиты глаз для предотвращения травм.

## **Направляющая планка (направляющая линейка) (дополнительная принадлежность)**

► **Рис.22:** 1. Зажимной винт 2. Направляющая планка (направляющая линейка)

Удобная направляющая планка помогает вам делать исключительно точные прямые пропилы. Просто выдвиньте направляющую планку к боковой поверхности детали и закрепите ее в этом положении при помощи винта, расположенного на передней части основания. Она позволяет также осуществлять повторное отпиливание деталей одинаковой ширины.

## ТЕХОБСЛУЖИВАНИЕ

### ⚠ ВНИМАНИЕ:

- Перед проверкой или проведением техобслуживания убедитесь, что инструмент выключен, а штекер отсоединен от розетки.
- **Очистите верхний и нижний кожухи, чтобы удалить скопление опилок, так как они могут ухудшить работу нижней защитной системы.** Загрязнение защитной системы может ограничить надлежащую работу и привести к тяжелым травмам. Самый эффективный способ очистки – с использованием сжатого воздуха. **Если пыль выдувается из кожухов, обязательно используйте надлежащие средства защиты глаз и органов дыхания.**
- Запрещается использовать бензин, лигроин, растворитель, спирт и т.п. Это может привести к изменению цвета, деформации и появлению трещин.

## Регулировка для точности реза 0°

### Только для модели HS7600

► **Рис.23:** 1. Винт 2. Основание

► **Рис.24:** 1. Треугольная линейка

Эти регулировки были сделаны на заводе-изготовителе. Но если настройка оказалась сбитой, то отрегулируйте ее при помощи регулировочных винтов и шестигранного ключа, проверяя положение диска под углом 0° к основанию, используя треугольник или угольник и т. п.

## Замена угольных щеток

► **Рис.25:** 1. Ограничительная метка

Регулярно вынимайте и проверяйте угольные щетки. Заменяйте их, если они изношены до ограничительной отметки. Содержите угольные щетки в чистоте и в свободном для скольжения в держателях положении. При замене необходимо менять обе угольные щетки одновременно. Используйте только одинаковые угольные щетки.

Используйте отвертку для снятия крышек щеткодержателей. Извлеките изношенные угольные щетки, вставьте новые и закрутите крышки щеткодержателей.

► **Рис.26:** 1. Отвертка 2. Колпачок держателя щетки

Для обеспечения БЕЗОПАСНОСТИ и НАДЕЖНОСТИ оборудования, ремонт, любое другое техобслуживание или регулировку необходимо производить в уполномоченных сервис-центрах Makita, с использованием только сменных частей производства Makita.

## ДОПОЛНИТЕЛЬНЫЕ ПРИНАДЛЕЖНОСТИ

### ⚠ ВНИМАНИЕ:

- Эти принадлежности или насадки рекомендуются использовать вместе с вашим инструментом Makita, описанным в данном руководстве. Использование каких-либо других принадлежностей или насадок может представлять опасность получения травм. Используйте принадлежность или насадку только по указанному назначению.

Если вам необходимо содействие в получении дополнительной информации по этим принадлежностям, свяжитесь со своим местным сервис-центром Makita.

- Пильные диски
- Направляющая планка (направляющая линейка)
- Сопло для пыли
- Шестигранный ключ

### ПРИМЕЧАНИЕ:

- Некоторые элементы списка могут входить в комплект инструмента в качестве стандартных приспособлений. Они могут отличаться в зависимости от страны.

## ТЕХНИКАЛЫҚ СИПАТТАМАЛАРЫ

Үлгісі		HS7000	HS7600
Жүзінің диаметрі		185 мм	
Макс. кесу тереңдігі	0°-та	65 мм	64 мм
	45°-та	43 мм	42 мм
Жүктемесіз жылдамдығы		5 200 мин <sup>-1</sup>	
Жалпы ұзындығы		298 мм	309 мм
Таза салмағы		3,8 кг	3,6 кг
Қауіпсіздік класы		□/II	

- Зерттеу мен әзірлеудің үздіксіз бағдарламасына байланысты осы құжаттағы техникалық сипаттамалар ескертусіз өзгертілуі мүмкін.
- Техникалық сипаттамалары әр елде әр түрлі болуы мүмкін.
- Салмағы ЕРТА-Procedure 01/2014 стандартына сәйкес

### Белгілер

Төменде жабдықта пайдаланылған белгілер көрсетілген. Қолданар алдында олардың мағынасын түсініп алыңыз.



Пайдалану жөніндегі нұсқаулықты оқып шығыңыз.



ҚОС ҚАБАТТЫ ОҚШАУЛАУ



Тек ЕО елдері үшін  
Электрлік жабдықты тұрмыстық қалдықтармен бірге тастамаңыз!  
Электрлік және электрондық жабдықты коқысқа тастау бойынша Еуропалық директиваның шарттары бойынша, қызметтік мерзімі аяқталған электрлік жабдық бөлек жиналып, экологиялық тұрғыдан қауіпсіз утилизация пунктіне қайтарылуы тиіс.

### Мақсатты пайдалану

Құрал өңделетін бөлшекпен тығыз жанасу арқылы ағашты ұзына бойы және айқас түзу сызық бойы, сондай-ақ қиғаш бұрыштармен кесуге арналған. Makita компаниясының сәйкес түпнұсқа ара жүздерімен басқа материалдарды да кесуге болады.

### Қуат көзі

Құрал паспорттық деректері бар фирмалық тақтайшада көрсетілген кернеумен бірдей қуат көзіне қосылуы керек және тек бір фазалы АТ көзімен жұмыс істейді. Оның қос қабатты оқшауламасы бар болғандықтан, жерге тұйықталмаған розеткаларды пайдалануға болады.

### Электрлік құралдың жалпы қауіпсіздік ескертулері

**⚠️ ЕСКЕРТУ:** Осы электрлік құралмен бірге берілген қауіпсіздік ескертулерін, нұсқауларды, суреттерді және техникалық сипаттамаларды оқып шығыңыз. Төменде берілген барлық нұсқауды орындамаған жағдайда, электр тогының соғуы, өрт шығуы және/немесе ауыр жарақат алуға себеп болуы мүмкін.

### Алдағы уақытта қолдану үшін барлық ескерту мен нұсқауды сақтап қойыңыз.

Ескертулердегі “электрлік құрал” термині қуат көзінен жұмыс істейтін (сымды) электрлік құралды немесе аккумулятормен жұмыс істейтін (сымсыз) электрлік құралды білдіреді.

#### Жұмыс аймағындағы қауіпсіздік

1. **Жұмыс аймағы таза әрі жарық болуы керек.** Лас немесе қараңғы аймақтарда жазатайым оқиғалар туындауы мүмкін.
2. **Электрлік құралды айналасында тез тұтанатын сұйықтық, газ немесе шаң сияқты заттардан тұратын жарылыс қаупі бар орталарда пайдаланбаңыз.** Электрлік құралдар шаң немесе газды тұтандыратын электр ұшқындарын шығарады.
3. **Электрлік құралды пайдаланған кезде, балалар және бөгде адамдар алшақ жүруі керек.** Басқа нәрсеге алаңдасаңыз, құралға ие бола алмай қалуыңыз мүмкін.

#### Электрлік қауіпсіздік

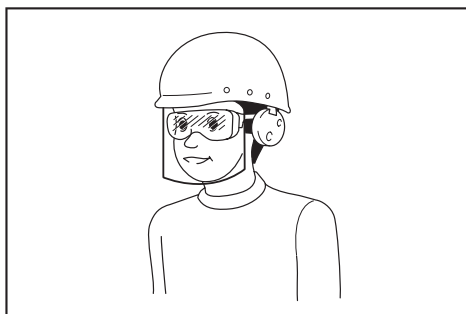
1. **Электрлік құралдың ашасы розеткаға сәйкес келуі керек.** Ашаны ешбір жағдайда өзгертпеңіз. Адаптер ашаларын жерге тұйықталған электрлік құралдармен пайдаланбаңыз. Өзгертілмеген ашалар мен сәйкес келетін розеткалар электр тогының соғу қаупін азайтады.

2. Түтіктер, радиаторлар, жылу батареялары және тоңазытқыштар сияқты жерге тұйықталған бұйымдарды ұстамаңыз. Егер дегеніңіз жерге тұйықталатын болса, ток соғу қаупі жоғары болады.
3. Электрлік құралдарды жаңбырдың астына немесе ылғалды жерлерге қоймаңыз. Электрлік құралға су кіретін болса, ток соғу қаупі артады.
4. Қуат сымын мұқият пайдаланыңыз. Электрлік құралды тасу, тарту немесе қуат көзінен ажырату үшін қуат сымын пайдалануға болмайды. Қуат сымына ыстық зат, май, өткір жиек немесе қозғалмалы бөлшектер тимеуі керек. Зақымдалған немесе оралған қуат сымдары ток соғу қаупін арттырады.
5. Электрлік құралды сыртта пайдаланғанда, сыртта қолдануға жарамды ұзартқышты қолданыңыз. Сыртта қолдануға жарамды шнурды пайдалану ток соғу қаупін азайтады.
6. Егер электрлік құралды ылғалды жерде пайдалану керек болса, қорғаныстық ажырату құрылғысын (RCD) пайдаланыңыз. Қорғаныстық ажырату құрылғысын пайдалану ток соғу қаупін азайтады.
7. Электр қуатын әрдайым 30 мА немесе одан кем номиналды дифференциалды тогы бар қорғаныстық ажырату құрылғысы (RCD) арқылы пайдалану ұсынылады.
8. Электрлік құралдар электрмагниттік өрістер шығарады, ол пайдаланушыға қауіпті емес. Дегенмен электрокардиостимулятор және соған ұқсас басқа медициналық құрылғылардың пайдаланушылары электрлік құралды пайдаланбас бұрын, өндірушімен және/немесе дәрігермен кеңесуі керек.
9. Қуат ашасын су қолыңызбен ұстамаңыз.
10. Егер сымы зақымдалған болса, қауіптен сақтану үшін оны өндірушіге немесе оның агентіне апарып ауыстырыңыз.

#### Жеке қауіпсіздік

1. Электрлік құралды пайдаланған кезде, жасап жатқан жұмысыңызға қарағылық танытып, мұқият болыңыз. Шаршағанда немесе есірткі, алкоголь немесе дәрі-дәрмектің әсерінде болған кезде электрлік құралды пайдаланбаңыз. Электрлік құралды пайдалану кезінде сәл ғана аңсыздық таныту ауыр жарақатқа әкелуі мүмкін.
2. Жеке қорғаныс құралдарын пайдаланыңыз. Міндетті түрде қорғаныс көзділдірігін тағыңыз. Шаңнан қорғайтын маска, сырғанамайтын қорғаныс аяқ киімі, каска немесе құлаққап сияқты қорғаныс жабдықтарын тиісті жағдайларда қолдану жарақаттануды азайтады.
3. Кездейсоқ іске қосудың алдын алыңыз. Құралды қуат көзіне және/немесе аккумулятор блогына қоспас бұрын, оны жинап немесе тасымалдамас бұрын, ауыстырып-қосқыш өшірулі күйде екеніне көз жеткізіңіз. Саусақ электрлік құралдың ауыстырып-қосқышында тұрған кезде оны тасымалдау немесе ауыстырып-қосқышы қосулы электрлік құралды қуат көзіне қосу жазатайым оқиғаға әкеп соғуы мүмкін.

4. Электрлік құралды қоспас бұрын, реттегіш немесе сомынды бұрайтын кілттерді алып тастаңыз. Электрлік құралдың айналмалы бөлігінде реттегіш немесе сомынды бұрайтын кілт бекітулі қалса, жарақаттауы мүмкін.
5. Тым артық күш салмаңыз. Әрдайым тұрақты және тепе-теңдік сақтайтын күйде болыңыз. Бұл күтпеген жағдайда электрлік құралды жақсы басқаруға мүмкіндік береді.
6. Жұмысқа сай киініңіз. Бос киім кимеңіз және әшекей тақпаңыз. Шашыңызды және киіміңізді қозғалмалы бөлшектерден алшақ ұстаңыз. Бос киім, әшекейлер немесе ұзын шаш қозғалмалы бөлшектерге ілініп қалуы мүмкін.
7. Шаң тұту және жинау құрылғылары қамтамасыз етілген болса, олардың қосулы екендігіне және дұрыс қолданылып жатқанына көз жеткізіңіз. Шаң жинау құрылғысын пайдалану шаңмен байланысты қауіпті азайтуы мүмкін.
8. Құралды жиі пайдалану нәтижесінде босаңсып, қауіпсіздік қағидалары елеусіз қалдырмаңыз. Салғырттық таныту бір мезетте ауыр жарақатқа әкеп соқтыруы мүмкін.
9. Электрлік құралды пайдаланған кезде көзіңізді жарақаттап алмау үшін міндетті түрде қорғаныс көзділдірігін тағыңыз. Қорғаныс көзділдіріктері АҚШ-та ANSI Z87.1, Еуропада EN 166 немесе Австралияда/ Жаңа Зеландияда AS/NZS 1336 қауіпсіздік стандарттарымен сәйкес келуі керек. Австралияда/Жаңа Зеландияда бетіңізді қорғау үшін қорғаныс масканың кию заң негізінде талап етіледі.



Құрал пайдаланушылары мен жұмыс аймағындағы басқа да тұлғалардың тиісті қауіпсіздік қорғаныс жабдықтарын пайдалануын қамтамасыз ету жұмыс берушінің жауапкершілігінде.

#### Электрлік құралды пайдалану және күтім жасау

1. Электрлік құралға артық күш түсірмеңіз. Орындалатын жұмысқа сәйкес келетін электрлік құралды пайдаланыңыз. Дұрыс таңдалған электрлік құрал өзіне жүктелген жұмысты жақсы және қауіпсіз істейді.
2. Ауыстырып-қосқышы ақаулы электрлік құралды пайдаланбаңыз. Ауыстырып-қосқышы ақаулы кез келген электрлік құрал қауіп көндіреді және оны жөндеу керек.

3. Кез келген реттеулер жасамас бұрын, керек-жарақтарды ауыстырмас бұрын немесе электрлік құралдарды ұзақ уақытқа сақтамас бұрын, ашаны қуат көзінен ажыратыңыз және/немесе аккумулятор блогы бар болса, оны шығарып алыңыз. Осындай алдын алу шаралары электрлік құралдың кездейсоқ іске қосылу қаупін азайтады.
4. Электрлік құралдарды балалардың қолы жетпейтін жерде сақтаңыз, сонымен қатар электрлік құралмен жұмыс істей алмайтын және осы нұсқауларды оқымаған тұлғаларға құралды пайдалануға рұқсат етпеңіз. Арнайы оқытудан өтпеген пайдаланушылар үшін электрлік құрал қауіп төндіреді.
5. Электр құралдарына және керек-жарақтарға техникалық қызмет көрсетіңіз. Қозғалмалы бөлшектердің ауытқуы және оралуы, зақымдалған бөлшектер және электрлік құралдың жұмысына кері әсер ететін басқа жағдайлардың бар-жоғын тексеріңіз. Зақымсыз болса, электрлік құралды жөндеген соң бірақ пайдаланыңыз. Жазатайым оқиғалардың көбі электрлік құралдарға дұрыс техникалық қызмет көрсетілмеу себебінен болады.
6. Кесу құралдары өткір және таза болуы керек. Кескіш жиектері өткір кесу құралдарын дұрыс пайдалансаңыз, олар тұрып қалмайды және сол себепті оларды басқару да оңайырақ етеді.
7. Электрлік құралды, керек-жарақтарды және қондырмаларды, т.б. жұмыс жағдайы мен орындалатын жұмысты ескере отырып, осы нұсқауларға сәйкес пайдаланыңыз. Электрлік құралды басқа мақсатта пайдаланған жағдайда, қауіпті жағдай туындауы мүмкін.
8. Тұтқалардың және жұмыс орындалатын беттердің құрғақ, таза және майлы болмауын қамтамасыз етіңіз. Тұтқалар және қолмен ұстайтын беттер тайғақ болса, күтпеген жағдай орын алғанда, құралды пайдалану және оған ие болу мүмкін болмайды.
9. Электрлік құралды пайдаланған кезде, ішіне тартылу матадан жасалған қорғаныс қолғабын кімеңіз. Матадан жасалған қорғаныс қолғаптары қозғалмалы бөлшектерге ілініп қалса, жарақаттауы мүмкін.

#### Қызмет көрсету

1. Электрлік құралға қызмет көрсетуді тек қаа жөндеу бойынша білікті аман тиісті қосалқы бөлшектерді пайдаланып жүзеге асыруы қажет. Бұл электрлік құралдың қауіпсіздігін қамтамасыз етеді.
2. Керек-жарақтарды майлау және ауыстыру нұсқауын орындаңыз.

## Дискілі ара қауіпсіздігі бойынша ескертулер

### Кесу процедуралары

1. **▲ҚАУІПТІ:** Қолыңызды кесу аймағына және ара жүзіне жақындатпаңыз. Екінші қолыңызбен қосымша тұтқаны немесе мотор корпусын ұстаңыз. Араны екі қолыңызбен ұстап тұрсаңыз, оларды ара жүзі кесіп кетпейді.
2. Өңделетін бөлшектің астыңғы жағына жақындамаңыз. Сақтандыргыш өңделетін бөлшектің астындағы жүзден қорғамайды.
3. Кесу тереңдігін өңделетін бөлшектің қалыңдығына сәйкес реттеңіз. Ара жүзі өңделетін бөлшектің төменгі жағынан тістерінің жартысындай ұзындықта ғана көрініп тұруы тиіс.
4. Кесу кезінде өңделетін бөлшекті ешқашан қолмен немесе аяқтарыңыздың арасында ұстамаңыз. Өңделетін бөлшекті орнықты платформаға бекітіңіз. Денеге әсерін азайту және жүздің кептеліп қалуын не құралды игере алмай қалуды болдырмау үшін өңделетін бөлшекті дұрыс бекітіп тіреу маңызды.

### ► Сурет1

5. Жұмыс істеп жатқанда кесу құралы жасырын сымға немесе өз сымнаына тиіп кетуі мүмкін болса, электр құралын оқшауланған қысқыш беттерінен ұстаңыз. Кернеулі сымға тиіп кеткен жағдайда электр құралының ашық металл бөліктерінде кернеу пайда болады, нәтижесінде операторды ток соғуы мүмкін.
6. Ағашты бойлай кесу кезінде әрдайым бағыттаушы тақташаны немесе жиектік тік бағыттаушы пайдаланыңыз. Бұл кесу дәлдігін арттырады және ара жүзінің кептеліп қалу ықтималдығын азайтады.
7. Әрдайым білік саңылауларының өлшемі мен пішіні (алмаз немесе дөңгелек пішінді) сәйкес жүздерді пайдаланыңыз. Араның бекіткіш жабдықтарына сәйкес келмейтін жүздер құрал ортасынан шығып, басқаруды жоғалтуға әкелуі мүмкін.
8. Ара жүзінің зақымдалған немесе сәйкес келмейтін шайбаларын немесе болтын ешқашан пайдаланбаңыз. Жүз шайбалары және болты араның оңтайлы және қауіпсіз жұмыс істеуі үшін арнайы жасалған.

### Кері соққы себептері және оған қатысты ескертулер

- кері соққы – ара жүзінің ілініп, қысылып қалуының немесе қиғаш кесуінің әсерінен кенеттен туындайтын реакция, нәтижесінде басқарудан шығып кеткен ара өңделетін бөлшектен көтеріліп, операторға қарай бағытталады;
- ойықты жабу кезінде жүзі ілініп немесе қысылып қалған кезде жүзі тоқтайды және мотор реакциясы құрылғыны операторға қарай артқа жылдам жүргізеді;
- ара жүзі кесу жерінде қисайтып немесе қиғаш кессе, оның артқы жағындағы тістері ағаштың үстіңгі бетіне енеді, бұл өз кезегінде ара жүзінің ойықтан шығып кетіп, операторға қарай артқа секіруін тудырады.

Кері соққы араны дұрыс пайдаланбау және/немесе қате жұмыс процедураларының нәтижесінде пайда болады және төменде көрсетілген сақтық шараларын ұстану арқылы оның алдын алуға болады.

1. **Араны екі қолыңызбен кері соққыға қарсы тұратындай күйде мықтап ұстаңыз. Арамен бір сызықтың бойында тұрмаңыз, керісінше араның екі бүйірінің біреуінде тұрыңыз.** Кері соққы араның артқа қарай секіріп кетуін тудыруы мүмкін, бірақ сақтық шаралары тиісті түрде сақталатын болса, оператор кері соққы күштерін басқара алады.
2. **Жүзі кептеліп қалғанда немесе кез келген себеппен кесу әрекетін тоқтатқанда, электр құралын өшіріп, жүзі толығымен тоқтағанша, араны материалда қозғалтпай ұстап тұрыңыз. Жүзі қозғалып жатқанда ешқашан араны алып тастамаңыз немесе артқа қарай тартпаңыз, кері соққы орын алуы мүмкін.** Жүзінің кептелу себепін анықтап, оны жою үшін түзету әрекетін орындаңыз.
3. **Өңделетін бөлшекте араны қайта іске қосқанда, ара жүзін ойық ортасына теңестіріңіз және ара тістерінің материалға енбеуін қадағалаңыз.** Егер ара жүзі кептеліп қалса, қайта қосу кезінде ол жүріп кетуі немесе кері соққы беруі мүмкін.
4. **Ара жүзінің қысылу немесе кері соққы беру қаупін азайту үшін үлкен панельдерді тіреңіз.** Үлкен панельдер өз салмағына байланысты еңкеюі мүмкін. Тіректерді панельдің астыңғы екі жағына, кесу сызығына және панельдің шетіне жақын қою қажет.

#### ► Сурет2

#### ► Сурет3

5. **Өтпейтін немесе зақымдалған жүздерді пайдаланбаңыз.** Ара жүзін өткірлемесе немесе тиісті түрде орнатпаса, ара жүзінің шектен тыс үйкелуіне, кептелуіне және кері соғылуына әсер ететін тар ойықты тудырады.
6. **Кеспес бұрын ара жүзінің кесу тереңдігі және қиғаш реттелетін құлыптау иінтіректері берік бекітілуі қажет.** Ара жүзінің реттелген жинағы кесу кезінде жылжып кететін болса, ол кептелуге немесе кері соққыға әкелу мүмкін.
7. **Қабырғалар немесе басқа көрінбейтін жерлерді кесу кезінде аса мұқият болыңыз.** Шығып тұрған ара жүзі кері соққы тудыратын заттарды кесуі мүмкін.
8. **ӨРҚАШАН құралды екі қолыңызбен мықтап ұстаңыз. Құрал табанының астына немесе араның артына, әсіресе айқас кесу кезінде қолыңызды, аяғыңызды немесе денеңіздің кез келген бөлігін ЕШҚАШАН қоймаңыз.** Егер кері соққы орын алса, ара артқа қарай қолыңыздан оңай секіріп кетіп, ауыр жеке жарақатқа әкелуі мүмкін.

#### ► Сурет4

9. **Араға ешқашан күш түсірмеңіз. Араны жүзі тоқтамай кесетіндей жылдамдықпен алға қарай итеріңіз.** Араға күш салу кесудің біркелкі және ұқыпты болмауына және ықтимал кері соққыға әкелуі мүмкін.

## Төменгі сақтандырғыш функциясы

1. **Әр қолданысқа дейін сақтандырғыштың дұрыс жабылғанына көз жеткізіңіз. Төменгі сақтандырғыш еркін қозғалмаса және бірден жабылмаса, араны пайдаланбаңыз. Төменгі сақтандырғышты ешқашан ашық күйге қыспаңыз немесе бекітпеңіз.** Ара абайсызда құлап кеткен жағдайда, төменгі сақтандырғыш бүгілуі мүмкін. Төменгі сақтандырғышты тартылатын тұтқасынан көтеріңіз және оның еркін қозғалатынын әрі барлық бұрыш пен кесу тереңдігінде ара жүзімен немесе басқа бөлігімен жанаспайтынын тексеріңіз.
2. **Төменгі сақтандырғыш серіппесінің жұмысын тексеріңіз. Егер сақтандырғыш пен серіппесі тиісті түрде жұмыс істемесе, қолданбас бұрын оларға қызмет көрсету қажет.** Бөлшектерінің зақымдалуынан, жабысқақ қабаттың пайда болуынан немесе қоқыстардың жиналуынан төменгі сақтандырғыш ақырын жұмыс істеуі мүмкін.
3. **“Терең кесу” және “құрама кесу” секілді арнайы кесу түрлері үшін ғана төменгі сақтандырғышты қолмен алға болады. Төменгі сақтандырғышты тартылатын тұтқасынан көтеріңіз, ара жүзі материалға енгеннен кейін, төменгі сақтандырғышты босатыңыз.** Басқа барлық кесу кезінде төменгі сақтандырғыш автоматты түрде жұмыс істеуі тиіс.
4. **Араны верстакқа немесе еденге қоймай тұрып, төменгі сақтандырғыштың жүзді жауып тұрғанын әрдайым тексеріңіз.** Жабылмаған ара жүзі инерциямен айналып, араның артқа қарай жүруін және жолындағы нысандарды кесуін тудырады. Ауыстырып-қосқышты босатқаннан кейін жүздің тоқтауы үшін уақыт керек екендігі есіңізде болсын.
5. **Төменгі сақтандырғышты тексеру үшін оны қолмен ашыңыз, содан кейін жіберіп, сақтандырғыштың жабылуына көз жеткізіңіз. Сондай-ақ тартылатын тұтқасы құралдың корпусына тиіп тұрмағанын тексеріңіз. Жүзді ашық қалдырып кету ӨТЕ ҚАУІПТІ және ауыр жеке жарақатқа әкелуі мүмкін.**

## Қосымша қауіпсіздік ескертулері

1. **Дымқыл ағашты, қысыммен өңделген суректі немесе ағаш бұтақтарын кесу кезінде аса мұқият болыңыз.** Жүз ұшының қызып кетуіне жол бермеу үшін жүз жылдамдығын төмендетпей, құралды түзу жүргізіңіз.
2. **Жүзі айналып жатқанда, кесілген материалды алып тастамаңыз. Кесілген материалды алмай тұрып, жүздің тоқтағанын күтіңіз.** Өшкеннен кейін жүздер инерциямен айналады.
3. **Шегелерді кеспеңіз. Кесуді бастау алдында шегелердің бар-жоғын тексеріп, оларды ағаштан алып тастаңыз.**
4. **Ара табанының басым бөлігін кесілгеннен кейін құлап кететін жерге емес, берік бекітілген өңделетін бөлшек жағына қойыңыз. Өңделетін бөлшек қысқа немесе шағын болса, онда оны төмен қарай бекітіңіз. ҚЫСҚА БӨЛШЕКТЕРДІ ҚОЛМЕН ҰСТАМАҢЫЗ!**

## ► Сурет5

5. Кесіп болғаннан кейін құралды қоймай тұрып, сақтандырғыштың жабық болуына және жүзінің толық тоқтауына көз жеткізіңіз.
6. Дискілі араны ешқашан төңкеріп ұстап кеспеңіз. Бұл өте қауіпті және ауыр жағдайларға әкелуі мүмкін.

## ► Сурет6

7. Кейбір материалдарда улы болуы мүмкін химиялық заттар бар. Шаң жұтпаңыз және теріге тигізбеңіз. Материал жеткізушісінің қауіпсіздік туралы деректерін ұстаныңыз.
8. Ара жүзін бүйірінен қысым түсіру арқылы тоқтатпаңыз.
9. Ешқандай абразивті дөңгелектерді пайдаланбаңыз.
10. Ара жүзін құралда белгіленген немесе нұсқаулықта көрсетілген диаметрмен ғана пайдаланыңыз. Өлшемі сай келмейтін жүзді пайдалану жүзді тиісті түрде сақтандыруға немесе сақтандырғыштың жұмыс істеуіне кері әсер етуі мүмкін, нәтижесінде ауыр дене жарақатының пайда болуы ықтимал.
11. Жүзді өткірлеп және тазалап тұрыңыз. Жүздегі қатып қалған шайыр мен ағаш шайыры араны баяулатады және кері соққы ықтималдығын арттырады. Алдымен ара жүзін құралдан алып тастаңыз, сосын оны шайыр кетіргішпен, ыстық сумен немесе керосинмен тазалаңыз. Ешқашан жанармайды пайдаланбаңыз.
12. Құралды пайдаланғанда шаңнан қорғайтын маска және құлаққа арналған қорғаныш құралын киіп алыңыз.
13. Әрдайым кесілетін материалға арналған ара жүзін пайдаланыңыз.
14. Құралда белгіленген жылдамдыққа тең немесе одан жоғары жылдамдықпен белгіленген ара жүздерін ғана пайдаланыңыз.
15. (Тек Еуропа елдері үшін) Әрқашан EN847-1 стандартына сәйкес келетін жүзді пайдаланыңыз.

## ОСЫ НҰСҚАУЛАРДЫ САҚТАҢЫЗ.

**▲ЕСКЕРТУ:** Бұл өнімді әбден пайдаланып үйренген (қайта-қайта пайдаланғанның нәтижесінде) болсаңыз да және сізге қолайсыздық тудырса да, осы өнімді қолдану кезінде қауіпсіздік техникасы ережелерін қатаң түрде сақтау қажет. Осы пайдалану жөніндегі нұсқаулықта келтірілген қауіпсіздік ережелерін ДҰРЫС ПАЙДАЛАНБАУ немесе орындамау ауыр жарақаттарға әкеп соқтыруы мүмкін.

## ФУНКЦИОНАЛДЫҚ СИПАТТАМАСЫ

### ▲САҚ БОЛЫҢЫЗ:

- Құралдың жұмысын реттемей және тексермей тұрып оның өшірулі екеніне және тоқтан ажыратылғанына әрдайым көз жеткізіңіз.

### Кесу тереңдігін реттеу

### ▲САҚ БОЛЫҢЫЗ:

- Кесу тереңдігін реттегеннен кейін, әрдайым тетікті мұқият бекітіңіз.

#### ► Сурет7: 1. Тетік

Тереңдік бағыттауышының тетігін босатыңыз және табанды жоғары немесе төмен жылжытыңыз. Қажетті кесу тереңдігінде тетікті бекіту арқылы табанды бекітіңіз. Кесудің таза әрі қауіпсіз болуы үшін өңделетін бөлшектің астынан бір тістен артық шығып тұрмайтындай етіп, кесу тереңдігін орнатыңыз. Дұрыс тереңдікті пайдалану жеке жарақатқа әкелетін қауіпті КЕРІ СОҚҚЫ ықтималдығын азайтады.

### Көлбеу кесу

#### ► Сурет8: 1. Бекіткіш бұранда

#### ► Сурет9: 1. Бекіткіш бұранда

### Үлгі: HS7000

Алдыңғы және артқы бекіткіш бұрандаларды босатыңыз. Тиісінше еңкейтіп, қажетті бұрышқа (0°-45°) орнатыңыз, содан кейін алдыңғы және артқы бекіткіш бұрандаларды мықтап бекітіңіз.

### Үлгі: HS7600

Бекіткіш бұранданы босатыңыз. Тиісінше еңкейтіп, қажетті бұрышқа (0°-45°) орнатыңыз, содан кейін бекіткіш бұранданы мықтап бекітіңіз.

### Көздеу

### Үлгі: HS7000

- Сурет10: 1. Кесу сызығы (0° күйі) 2. Кесу сызығы (45° күйі)

### Үлгі: HS7600

- Сурет11: 1. Кесу сызығы (0° күйі) 2. Кесу сызығы (45° күйі)

Түзу кесу үшін табанның алдыңғы жағындағы 0° күйін кесу сызығымен сәйкестендіріңіз. 45° бұрышта көлбеу кесу үшін 45° күйіне сәйкестендіріңіз.



## Ауыстырып-қосқыштың әрекеті

### ▲САҚ БОЛЫҢЫЗ:

- Құралды қоспас бұрын, әрдайым ауыстырып-қосқыш шүріппесінің дұрыс жұмыс істеп тұрғанына және босатылған кезде "ӨШІРУЛІ" күйіне қайтарлатынына әрқашан көз жеткізіп тұрыңыз.

- **Сурет12:** 1. Ауыстырып-қосқыш шүріппесі  
2. Құлыпты ашу түймесі / құлыптау түймесі

## Құлыпты ашу түймесі бар құрал үшін

### ▲САҚ БОЛЫҢЫЗ:

- Құлыпты ашу түймесін баспай, ауыстырып-қосқыш шүріппесін қатты тартпаңыз. Бұл ауыстырып-қосқышты бұзуы мүмкін.

Құлыпты ашу түймесі ауыстырып-қосқыш шүріппесінің кездейсоқ тартылып кетуіне жол бермеу үшін пайдалануға арналған. Құралды іске қосу үшін құлыпты ашу түймесін басып, ауыстырып-қосқыш шүріппесін тартыңыз. Тоқтату үшін ауыстырып-қосқыш шүріппесін жіберіңіз.

### ▲ЕСКЕРТУ:

- Қауіпсіздік үшін бұл құралда құралдың абайсызда қосылып кетуіне жол бермейтін құлыпты ашу түймесі орнатылған. Құлыпты ашу түймесін баспай тұрып, тек ауыстырып-қосқыш түймесін тартқанда құрал қосылып кетсе, оны ЕШҚАШАН пайдаланбаңыз. Ары қарай пайдаланбас БҰРЫН құралға тиісті жөндеу жұмыстарын жүргізу үшін оны Makita қызмет көрсету орталығына қайтарыңыз.
- Құлыпты ашу түймесін ЕШҚАШАН орамаңыз немесе оның мақсаты мен функциясынан тыс пайдаланбаңыз.

## Құлыптау түймесі бар құрал үшін

### ▲САҚ БОЛЫҢЫЗ:

- Ұзақ пайдалану кезінде оператордың ыңғайлылығы үшін ауыстырып-қосқыш "ҚОСУЛЫ" күйінде құлыптала алады. Құралды "ҚОСУЛЫ" күйінде құлыптау кезінде сақ болыңыз және құралды мықтап ұстаңыз.

Құралды іске қосу үшін жай ғана ауыстырып-қосқыш шүріппесін басыңыз. Тоқтату үшін ауыстырып-қосқыш шүріппесін жіберіңіз.

Үздіксіз жұмыс істеу үшін ауыстырып-қосқыш шүріппесін тартып, құлыптау түймесін басып, ауыстырып-қосқыш шүріппесін босатыңыз.

Құралды құлыпталған күйден шығару үшін, ауыстырып-қосқыш шүріппесін толығымен тартып, босатыңыз.

## ҚҰРАСТЫРУ

### ▲САҚ БОЛЫҢЫЗ:

- Құралдың жұмысын реттемей және тексермей тұрып оның өшірулі екеніне және тоқтан ажыратылғанына әрдайым көз жеткізіңіз.

## Ара жүзін алу немесе орнату

### ▲САҚ БОЛЫҢЫЗ:

- Құралдың алдыңғы жағындағы жүз тістері жоғары қарап орнатылғанына көз жеткізіңіз.
- Жүзді орнату немесе алып тастау үшін тек Makita кілтін пайдаланыңыз.

- **Сурет13:** 1. Алты қырлы кілт 2. Білік құлпы 3. Босату 4. Бекіту

Жүзді алып тастау үшін ол айналмайтындай, білік құлпын басыңыз және алты қырлы болтты сағат тіліне қарсы бағытта кілтпен бұрау арқылы босатыңыз. Содан кейін алты қырлы болтты, сыртқы фланецті және ара жүзін алып тастаңыз.

- **Сурет14:** 1. Ішкі фланец 2. Ара жүзі 3. Сыртқы фланец 4. Алты қырлы болт

Жүзді ауыстыру кезінде сондай-ақ үстіңгі және астыңғы жүз сақтандырғыштарын жиналған ағаш жоңқаларынан тазалаңыз. Алайда бұл әрекеттер әр қолданыс алдындағы төменгі сақтандырғыш жұмысын тексеру қажеттілігін алмастырмайды.

## 15,88 мм-лік саңылау диаметрі бар ара жүзінен басқасына арналған ішкі фланеці бар құрал үшін

- **Сурет15:** 1. Орнату білігі 2. Ішкі фланец 3. Ара жүзі 4. Сыртқы фланец 5. Алты қырлы болт

Ішкі фланецтің бір жағында белгілі бір диаметрдегі дөңес бар, ал өзге диаметрдегі дөңес басқа жағында. Дөңес ара жүзі саңылауына дәл келетін жағын таңдаңыз.

Содан кейін ішкі фланецтегі дөңестің дұрыс жағы сыртқа қарап тұру үшін ішкі фланецті орнату білігіне орнатыңыз және ара жүзі мен сыртқы фланецті орналастырыңыз.

АЛТЫ ҚЫРЛЫ БОЛТТЫ САҒАТ ТІЛІ БАҒЫТЫМЕН БҰРАП, БЕРІК БЕКІТІҢІЗ.

### ▲САҚ БОЛЫҢЫЗ:

- Ішкі фланецтің сыртындағы "а" дөңесі ара жүзінің "а" саңылауына дәл келетініне көз жеткізіңіз. Жүзді сәйкес емес жаққа орнату дірілге әкеліп, қауіп төндіруі мүмкін.

## 15,88 мм-лік саңылау диаметрі бар ара жүзіне арналған ішкі фланеці бар құрал үшін (әр елде әртүрлі)

- **Сурет16:** 1. Орнату білігі 2. Ішкі фланец 3. Ара жүзі 4. Сыртқы фланец 5. Алты қырлы болт

- **Сурет17:** 1. Орнату білігі 2. Ішкі фланец 3. Ара жүзі 4. Сыртқы фланец 5. Алты қырлы болт 6. Сақина

Орнату білігіне ішкі фланецті ойық жағы сыртқа қарап тұратындай орнатыңыз, содан кейін ара жүзін (қажет болған жағдайда сақинаны бірге бекітіңіз), сыртқы фланецті және алты қырлы болтты орналастырыңыз.

**АЛТЫ ҚЫРЛЫ БОЛТТЫ САФАТ ТІЛІ БАҒЫТЫМЕН БЕРІК БЕКІТІҢІЗ.**

### **▲ЕСКЕРТУ:**

- **Жүзді айналдырғыға орнатпас бұрын қолданылатын жүздің білік саңылауына арналған сәйкес келетін сақина сыртқы және ішкі фланецтің арасына орнатылғанына ердайым көз жеткізіңіз.** Сәйкес емес білік саңылауы сақинасын пайдалану жүздің дұрыс орнатылмауына әкеледі, нәтижесінде басқаруды жоғалтуға және ауыр жарақат алу ықтималдығына себеп болатын жүздің қозғалуына өсер етеді және қатты діріл туындайды.

## **Алты қырлы кілтті сақтау**

► **Сурет18:** 1. Алты қырлы кілт

Алты қырлы кілт қолданылмайтын кезде жоғалып қалмауы үшін суретте көрсетілгендей сақтаңыз.

## **Шаңсорғышты қосу**

*(Кейбір елдерде қосымша керек-жарақ)*

► **Сурет19:** 1. Шаң жүретін мойын 2. Бұранда 3. Тетік

► **Сурет20:** 1. Шаңсорғыш 2. Шланг

Кесу жұмысын таза етіп орындау қажет болған кезде құралға Makita шаңсорғышын қосыңыз. Шаң жүретін мойынды құралға бұранда арқылы орнатыңыз. Содан кейін шаңсорғыш шлангісін суретте көрсетілгендей шаң жүретін мойынға жалғаңыз.

Шаң жүретін мойын қалыпты жабдық ретінде берілмеген құрал үшін төменгі сақтандырғышта бекітілген тетікті шаң жүретін мойынды (қосымша керек-жарақ) орнатумен мезгілде онымен бірге жабдықталған тетікпен ауыстырыңыз. Әйтпесе төменгі сақтандырғыштың жылжуына шаң жүретін мойын кедергі жасағандықтан, кесуді орындай алмайсыз.

## **ПАЙДАЛАНУ**

### **▲САҚ БОЛЫҢЫЗ:**

- Құралды тік сызықпен алға қарай ақырын жылжытыңыз. Құралға күш салу немесе оны бұру қозғалтқышты қыздыруы және қауіпті кері соққыға әкелуі мүмкін, нәтижесінде ауыр жарақат алу ықтималдығы артады.
- Өрқашан жұмыс істеу кезінде алдыңғы тұтқаны және артқы сапты пайдаланып, оларды мықтап ұстаңыз.

► **Сурет21**

Құралды мықтап ұстаңыз. Құралдың алдыңғы тұтқасы мен артқы сабы бар. Құралды жақсылап ұстау үшін екеуін де пайдаланыңыз. Араны екі қолыңызбен ұстап тұрсаңыз, оларды жүзі кесіп кетпейді. Құрал табанын кесілуі қажет өңделетін бөлшекпен жүзі жанаспайтындай қойыңыз. Содан кейін құралды қосыңыз және жүзі толық жылдамдыққа жеткенше күтіңіз. Содан кейін құралды кесу аяқталғанша өңделетін бөлшектің бетінде жай ғана алға қарай бір қалыппен тегістеп жылжытыңыз.

Кесуді таза етіп орындау үшін кесу сығызын түзу және жылдамдығын бірқалыпты ұстаңыз. Егер кесу көзделген кесу сызығына сәйкес келмей қалса, құралды кесу сызығына қарай бұрмаңыз немесе күштеп қайтармаңыз. Бұл әрекет жүздің кептеліп қалуына, қауіпті кері соққыға және ауыр жарақатқа әкелуі мүмкін. Ауыстырып-қосқышты босатыңыз, жүздің тоқтауын күтіңіз және содан кейін құралды алыңыз. Құралды жаңа кесу сызығына қайта орналастырыңыз және кесуді қайта бастаңыз. Арадан шығатын жаңқа мен ағаш шаңының операторға тиіп кететіндей қалыпта тұрмаңыз. Жарақат алуды болдырмау үшін қорғаныс көзілдірігін пайдаланыңыз.

## **Бағыттаушы тақтайша (бағыттауыш сызғыш) (қосымша керек-жарақ)**

► **Сурет22:** 1. Бекіткіш бұранда 2. Бағыттаушы тақтайша (бағыттауыш сызғыш)

Қолайлы бағыттаушы тақтайша жоғары дәлдікпен түзу кесуге мүмкіндік береді. Бағыттаушы тақтайшаны жай ғана өңделетін бөлшек бүйірімен тығыздаатып сырғытыңыз және табанның алдыңғы жағындағы бекіткіш бұрандамен өз орнына бекітіңіз. Бұл сондай-ақ ені бірдей қайталанатын кесу түрлерін орындауға мүмкіндік береді.

## **ТЕХНИКАЛЫҚ ҚЫЗМЕТ КӨРСЕТУ**

### **▲САҚ БОЛЫҢЫЗ:**

- Тексеру немесе техникалық қызмет көрсету жұмыстарын жүргізбес бұрын, әрдайым құралдың өшірулі екендігіне және токтан ажыратылғанына көз жеткізіңіз.
- **Төменгі сақтандыру жүйесінің жұмысына кедергі келтіруі мүмкін жинақталған жоңқа болмауы үшін жоғарғы және төменгі сақтандырғыштарды тазалаңыз.** Сақтандыру жүйесінің лас болуы дұрыс жұмыс істеуді шектеуі мүмкін, нәтижесінде ауыр жеке жарақат пайда болуы ықтимал. Осы тазалау жұмысын жүргізудің ең тиімді әдісі – сығылған ауамен тазалау. **Сақтандырғыштардан шаң шығарылу кезінде, көзді және тыныс алу мүшелерін қорғайтын тиісті қорғаныш құралдарын пайдаланыңыз.**
- Жанармайды, бензинді, сұйылтқышты, спиртті немесе соған ұқсас заттарды ешқашан пайдаланбаңыз. Нәтижесінде түссіздену, бүліну немесе жарықтар пайда болуы мүмкін.

## 0° кесу дәлдігіне реттеу

### Тек HS7600 үшін

► **Сурет23:** 1. Бұранда 2. Табан

► **Сурет24:** 1. Үшбұрышты сызғыш

Осы реттеу жұмысы зауытта жасалды. Алайда жасалмаған болса, үшбұрышты немесе тікертбұрышты сызғышты және т.б. құралдарды қолдану арқылы ара жүзі мен табанының 0° бұрышта параллельді болуын тексеріп, реттегіш бұрандаларды алты қырлы кілтпен реттеңіз.

## Графитті қылшақты ауыстыру

► **Сурет25:** 1. Шектеу белгісі

Графитті қылшақтарды жүйелі түрде алып, тексеріп тұрыңыз. Оларды шектеу белгісіне түскен кезде ауыстырыңыз. Графитті қылшақтарды таза және ұстағыштарда сырғыту үшін бос ұстаңыз. Екі графитті қылшақты бір уақытта ауыстыру қажет. Тек бірдей графитті қылшақтарды пайдаланыңыз. Қылшақ ұстағыш қалпақшасын алу үшін бұрама шегені бұрағышты пайдаланыңыз. Тозған графитті қылшақтарды алып, жаңаларын салыңыз және қылшақұстағыш қалпақшаны бекітіңіз.

► **Сурет26:** 1. Бұрама шегені бұрағыш 2. Қылшақ ұстағыш қалпақшасы

Өнімнің ҚАУІПСІЗДІГІ мен СЕНІМДІЛІГІН қамтамасыз ету үшін, жөндеу жұмыстары, кез келген басқа техникалық қызмет көрсету немесе реттеу әрдайым Makita қосалқы бөлшектерін пайдалану арқылы Makita компаниясының өкілетті қызмет көрсету орталықтары тарапынан орындалуы керек.

## ҚОСЫМША КЕРЕК-ЖАРАҚТАР

### ⚠САҚ БОЛЫҢИЗ:

- Бұл керек-жарақтар мен қондырмаларды осы нұсқаулықта көрсетілген Makita құралымен бірге пайдаланған дұрыс. Басқа керек-жарақтар мен қондырмаларды пайдалану адамдардың жарақаттануына әкелуі мүмкін. Керек-жарақты немесе қондырманы тек мақсатына сәйкес пайдаланыңыз.

Осы керек-жарақтар туралы қосымша мәлімет алу үшін, жергілікті Makita қызмет көрсету орталығына хабарласыңыз.

- Ара жүздері
- Бағыттаушы тақтайша (бағыттауыш сызғыш)
- Шаң жүретін мойын
- Алты қырлы кілт

### ЕСКЕРТПЕ:

- Тізімдегі кейбір элементтер стандартты керек-жарақтар ретінде құралдың қаптамасында болуы мүмкін. Олар әр елде әртүрлі болуы мүмкін.

**Makita Corporation**  
3-11-8, Sumiyoshi-cho,  
Anjo, Aichi 446-8502 Japan  
[www.makita.com](http://www.makita.com)

885371-787  
EN, RU, KK  
20181121